

Two Tier **Bike Rack** BR.375_S

single, spacing 375 mm

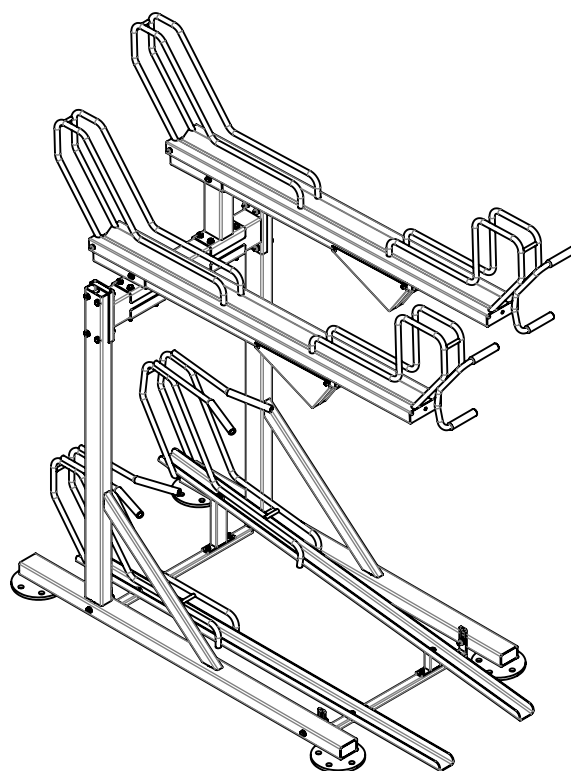
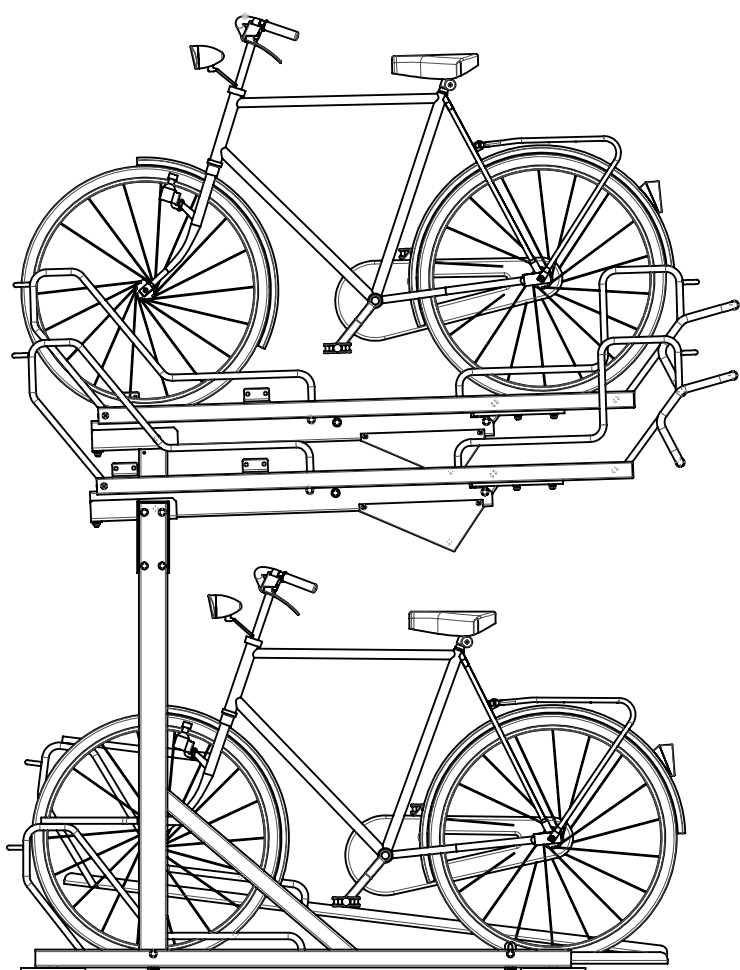
Base Modules

Extension Modules

Dimensions

Models

Configuration example



Office & Production facility

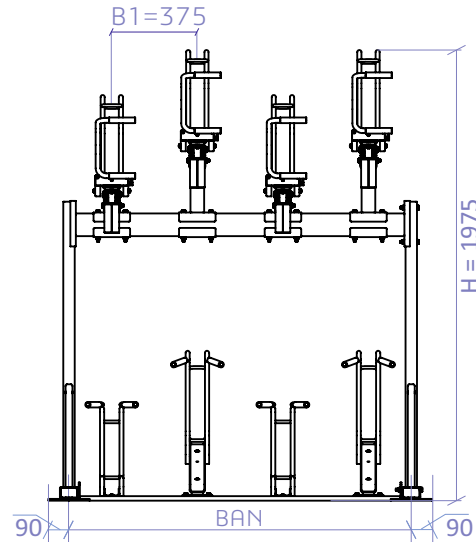
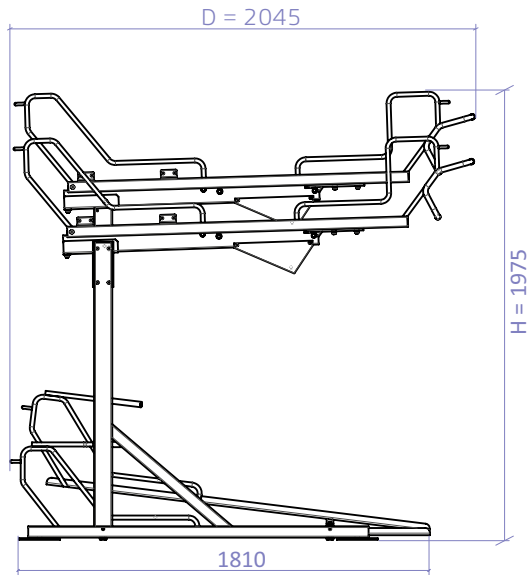
95-020 Bedoń k/Łodzi
ul.Brzezińska 57

Contact

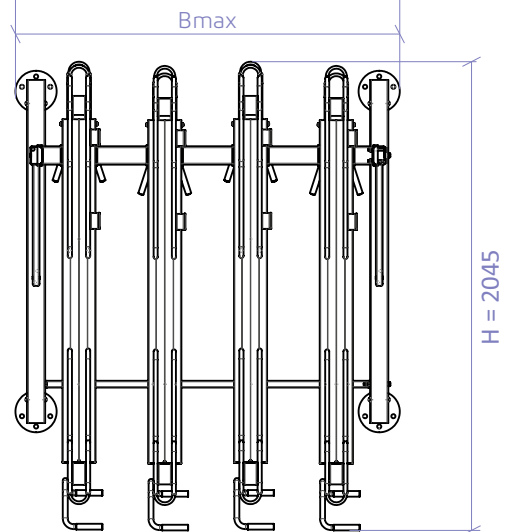
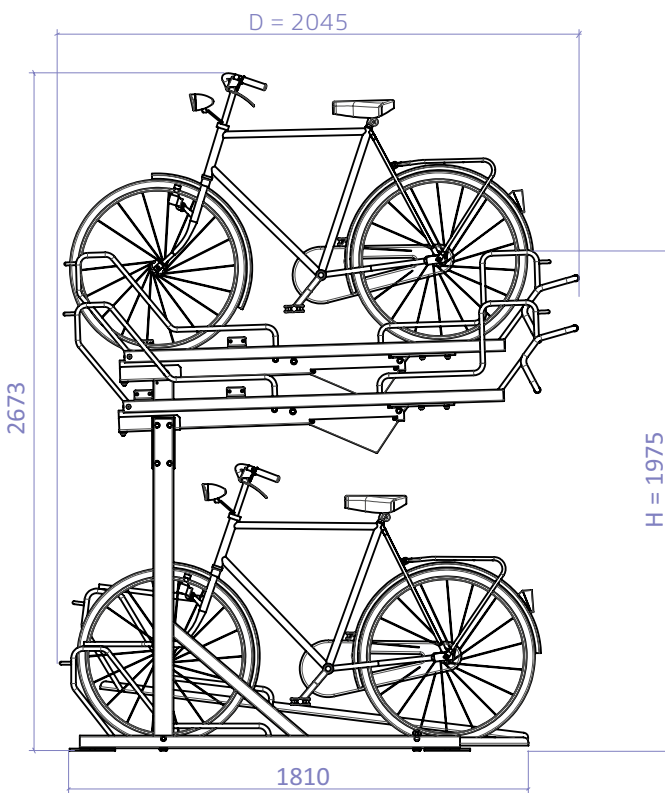
e-mail: offer@sawo.com.pl

www.sawo.com.pl

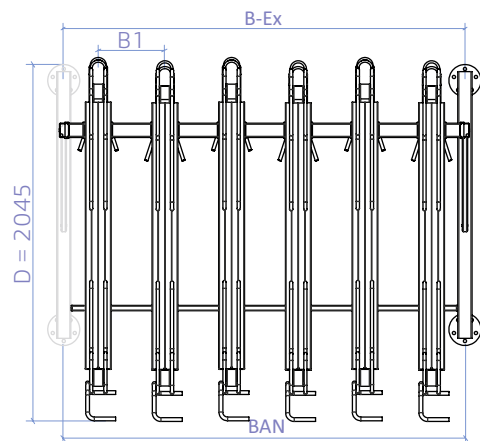
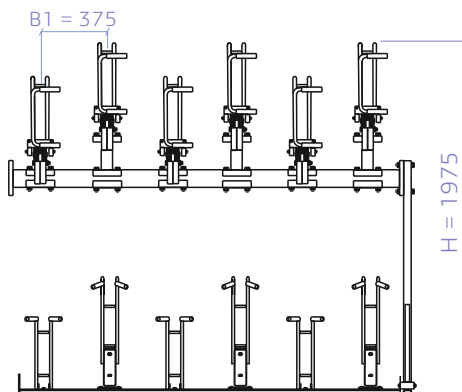
Basic Modules - main dimensions



spacing 375



Extension Modules - main dimensions



spacing 375

BR.375_S_X_XX

Single Basic-1 Modules. *spacing 375*

DIMENSIONS: BR.375_S_B_XX

TYPE	D	B1	BAN	B max	Weight [kg]
BR.375_S_B_16	2045	375	3000	3180	359
BR.375_S_B_12	2045	375	2250	2430	280
BR.375_S_B_08	2045	375	1500	1680	202
BR.375_S_B_04	2045	375	750	930	123

Extension modules for single Basic-1 modules. *spacing 375*

DIMENSIONS: BR.375_S_E_XX

TYPE	D	B1	BAN	B-Ex	Weight [kg]
BR.375_S_E_16	2045	375	3000	3000	338
BR.375_S_E_14*	2045	375	2625	2625	297
BR.375_S_E_12	2045	375	2250	2250	259
BR.375_S_E_10*	2045	375	1875	1875	218
BR.375_S_E_08	2045	375	1500	1500	180
BR.375_S_E_06*	2045	375	1125	1125	140
BR.375_S_E_04	2045	375	750	750	101

* An extension can only be used as the last module in a row

Single Basic-2 Modules. *spacing 375*

DIMENSIONS: BR.375_S_B_XX

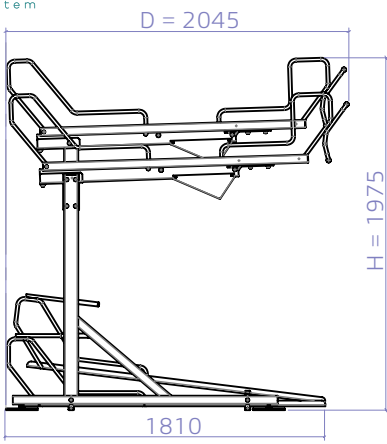
Non-extensible modules

TYPE	D	B1	BAN	B max	Weight [kg]
BR.375_S_B_14**	2045	375	2625	2805	319
BR.375_S_B_10**	2045	375	1875	2055	240
BR.375_S_B_06**	2045	375	1125	1305	161

**Free-standing racks only - cannot be extended with additional modules

Single Basic-1 Modules

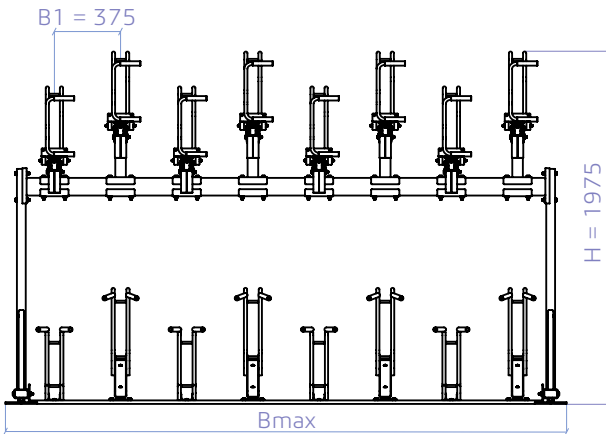
spacing 375



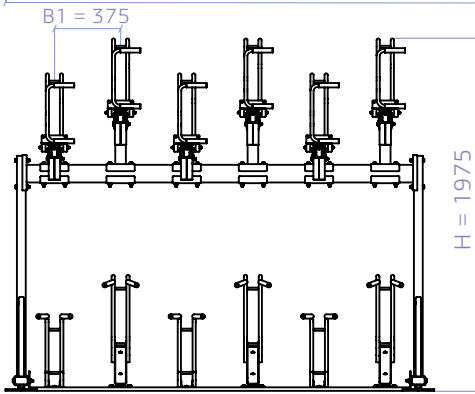
DIMENSIONS: BR.375_S_B_xx

TYPE	D	B1	BAN	B max	Weight [kg]
BR.375_S_B_16	2045	375	3000	3180	359
BR.375_S_B_12	2045	375	2250	2430	280
BR.375_S_B_08	2045	375	1500	1680	202
BR.375_S_B_04	2045	375	750	930	123

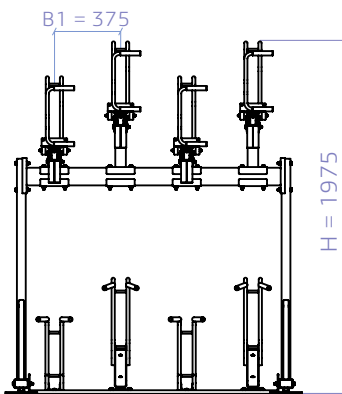
BR.375_S_B_16



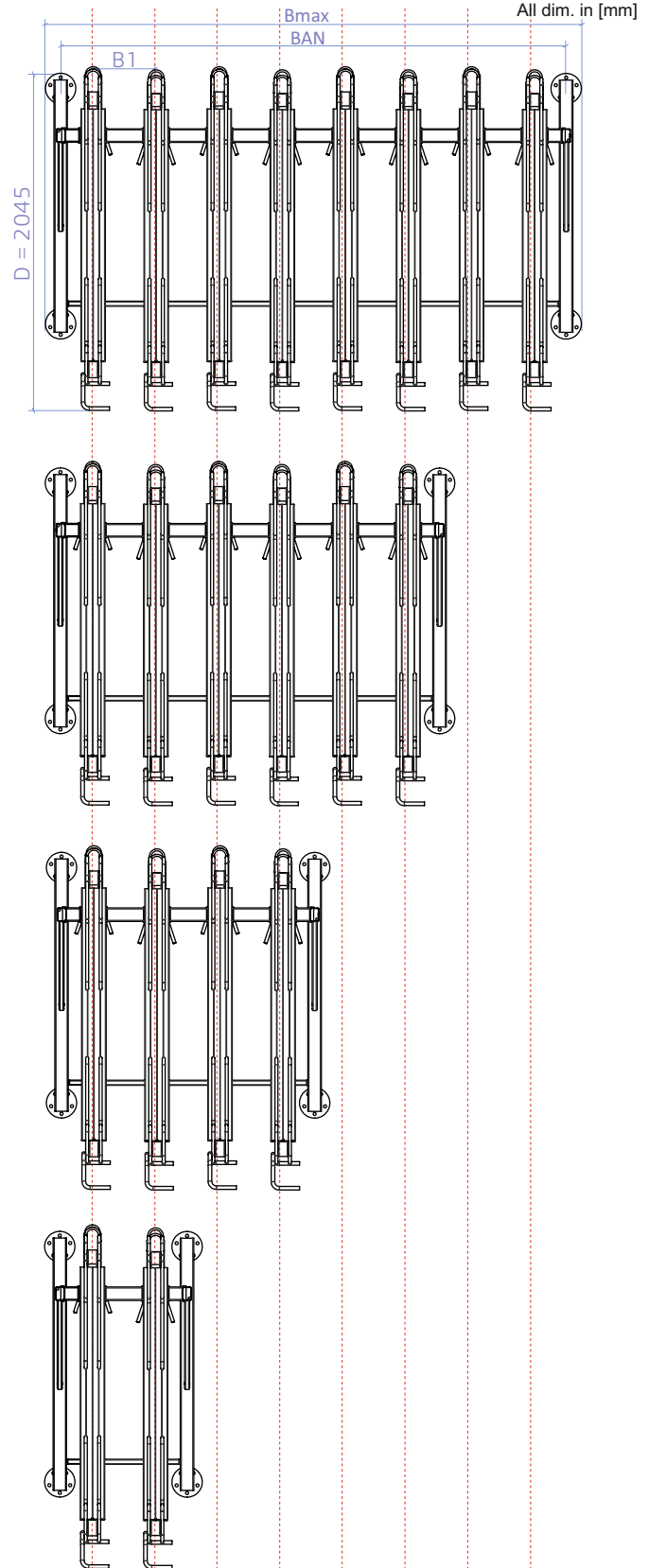
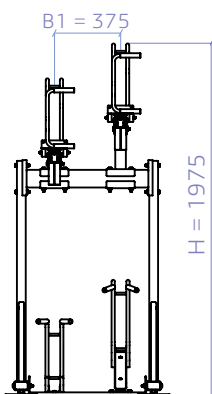
BR.375_S_B_12



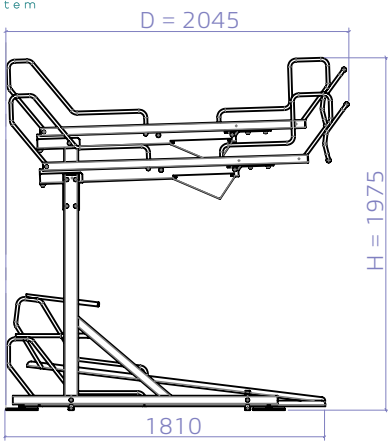
BR.375_S_B_08



BR.375_S_B_04



Extension modules for single Basic-1 modules. *spacing 375*



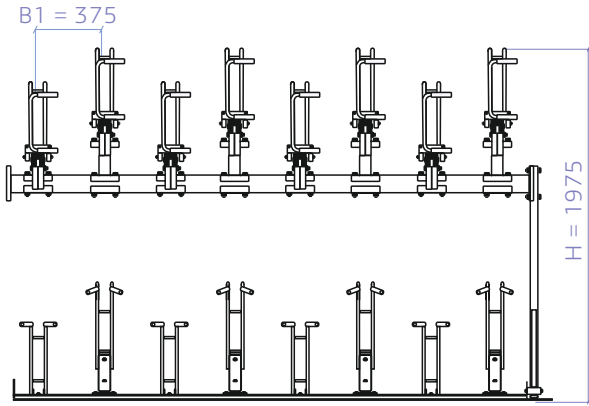
DIMENSIONS: BR.375_S_E_xx

TYPE	D	B1	BAN	B-Ex	Weight [kg]
BR.375_S_E_16	2045	375	3000	3000	338
BR.375_S_E_14*	2045	375	2625	2625	297
BR.375_S_E_12	2045	375	2250	2250	259
BR.375_S_E_10*	2045	375	1875	1875	218

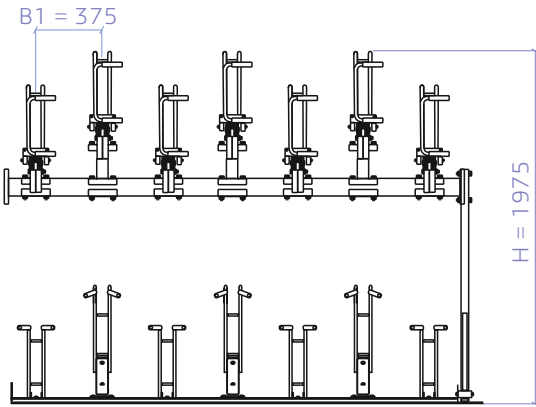
* An extension can only be used as the last module in a row

All dim. in [mm]

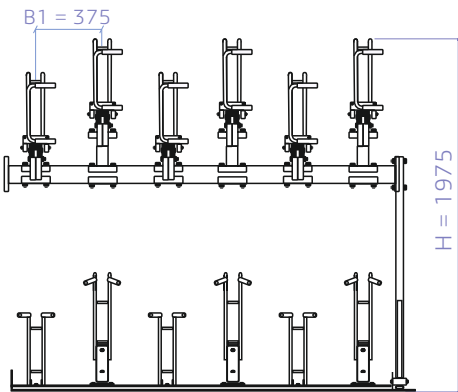
BR.375_S_E_16



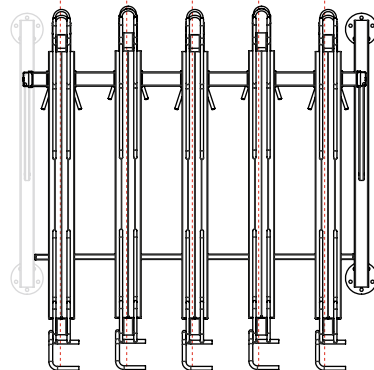
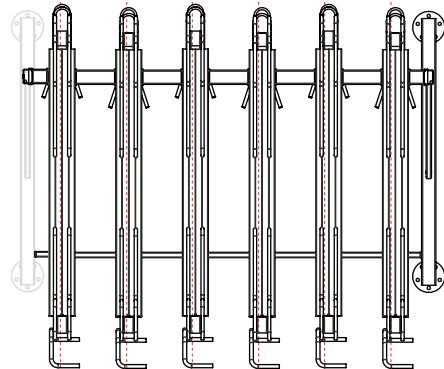
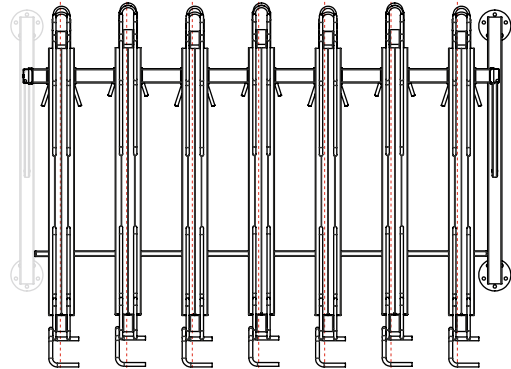
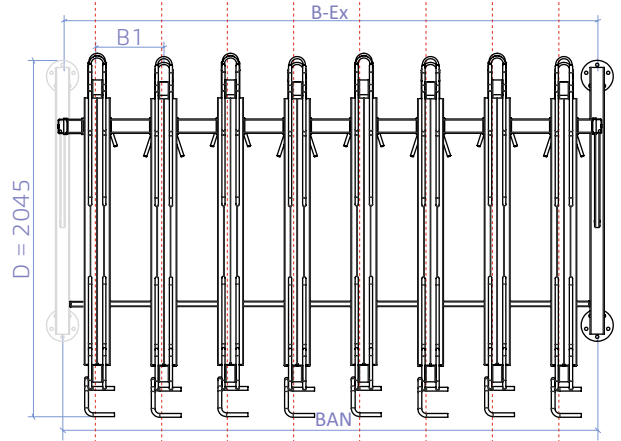
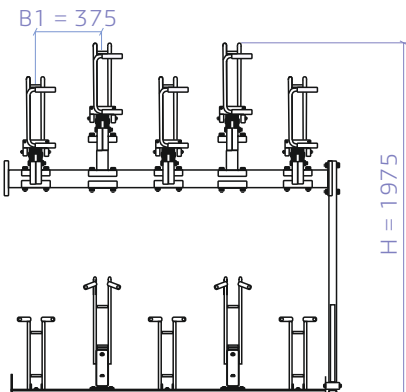
BR.375_S_E_14



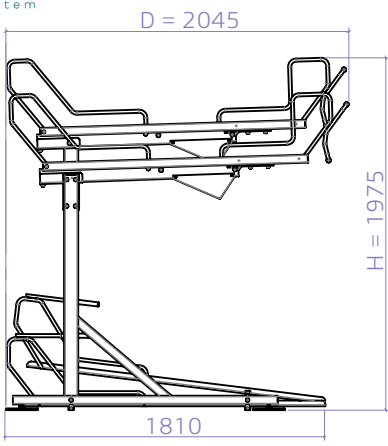
BR.375_S_E_12



BR.375_S_E_10



Extension modules for single Basic-1 modules. *spacing 375*



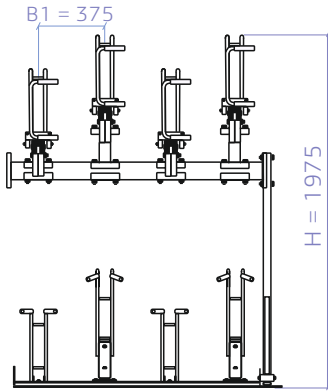
DIMENSIONS: BR.375_S_E_xx

TYPE	D	B1	BAN	B-Ex	Weight [kg]
BR.375_S_E_08	2045	375	1500	1500	180
BR.375_S_E_06*	2045	375	1125	1125	140
BR.375_S_E_04	2045	375	750	750	101

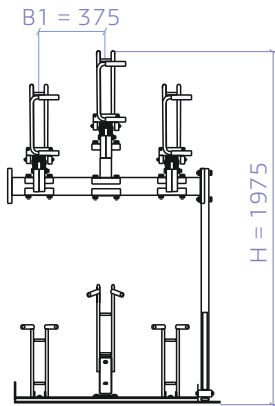
* An extension can only be used as the last module in a row

All dim. in [mm]

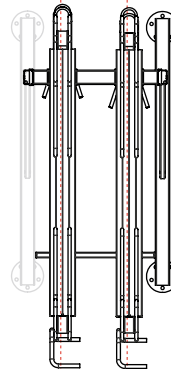
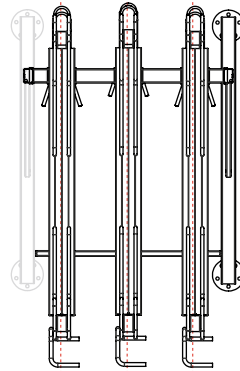
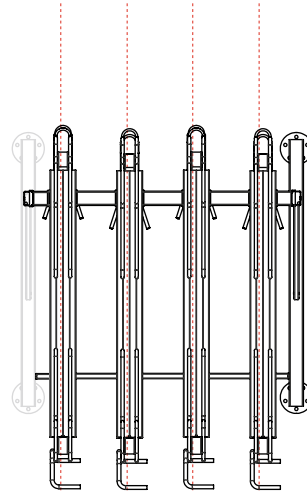
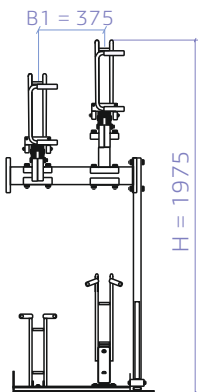
BR.375_S_E_08



BR.375_S_E_06



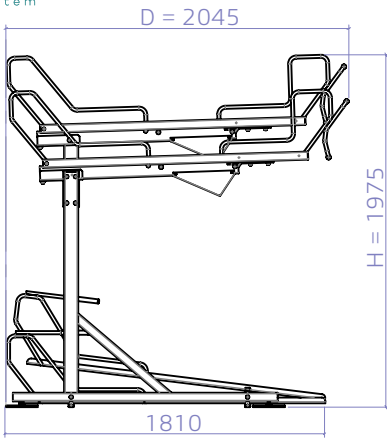
BR.375_S_E_04



Single Basic-2 Modules

spacing 375

Non-extensible modules



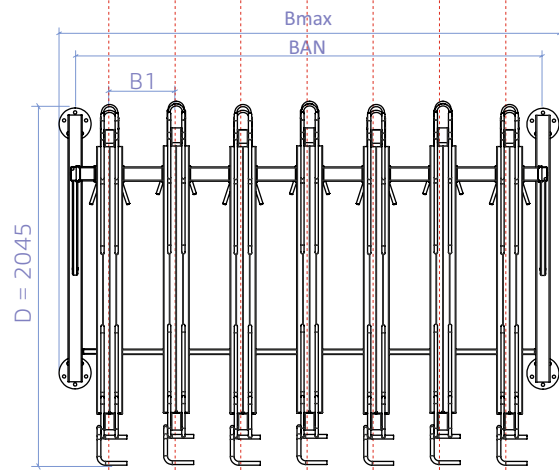
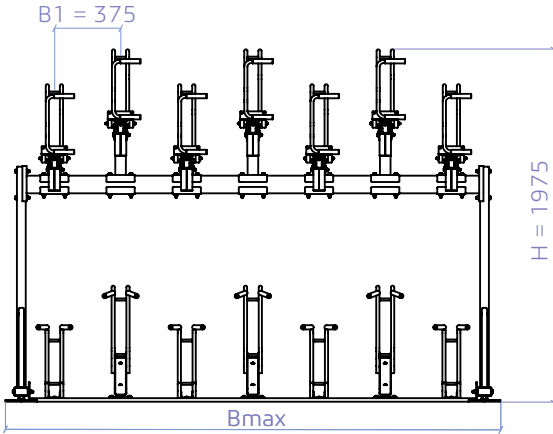
DIMENSIONS: BR.375_S_B_xx

TYPE	D	B1	BAN	B max	Weight [kg]
BR.375_S_B_14**	2045	375	2625	2805	319
BR.375_S_B_10**	2045	375	1875	2055	240
BR.375_S_B_06**	2045	375	1125	1305	161

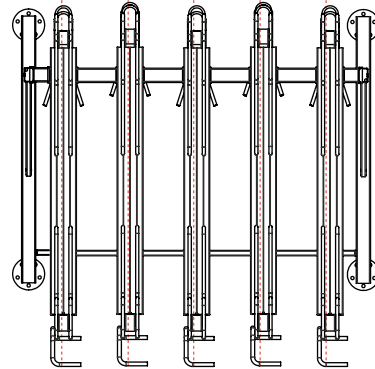
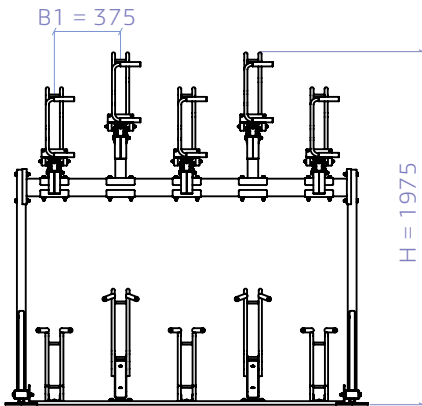
**Free-standing racks only - cannot be extended with additional modules

All dim. in [mm]

BR.375_S_B_14



BR.375_S_B_10



BR.375_S_B_06

