

Two Tier **Bike Rack** BR.400_S

single, spacing 400 mm

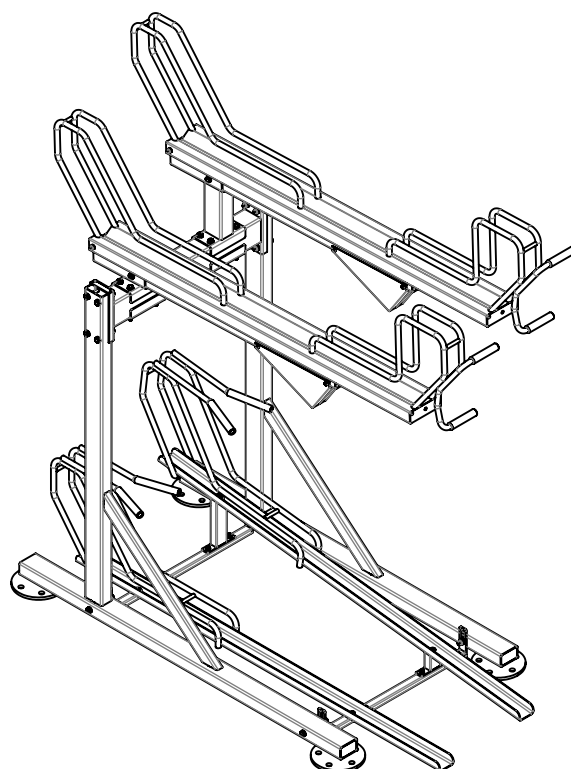
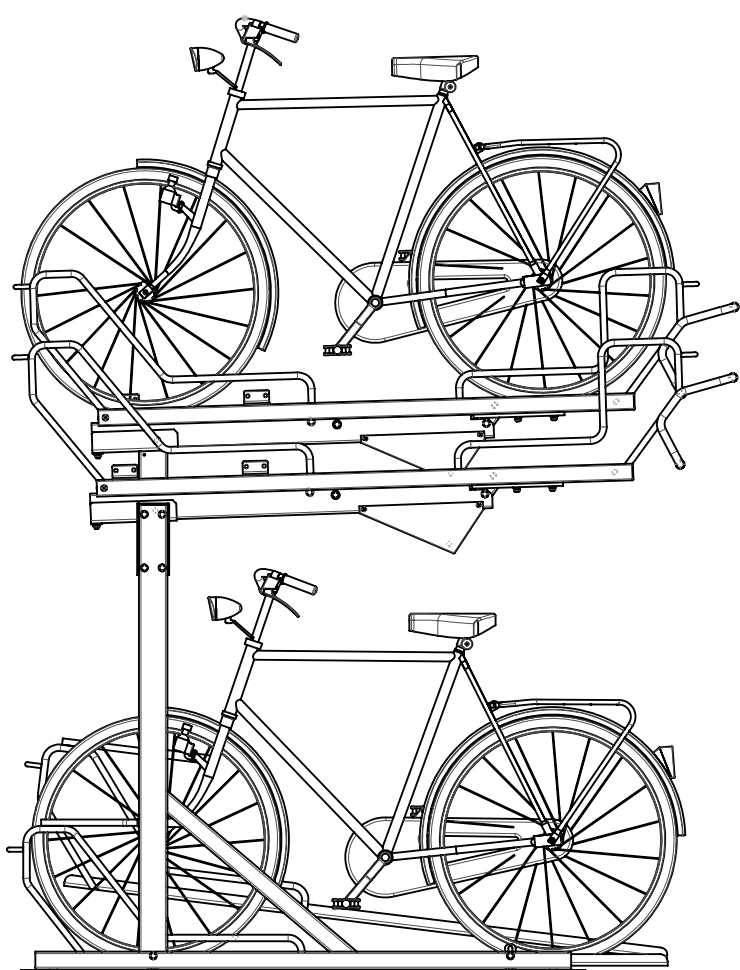
Base Modules

Extension Modules

Dimensions

Models

Configuration example



Office & Production facility

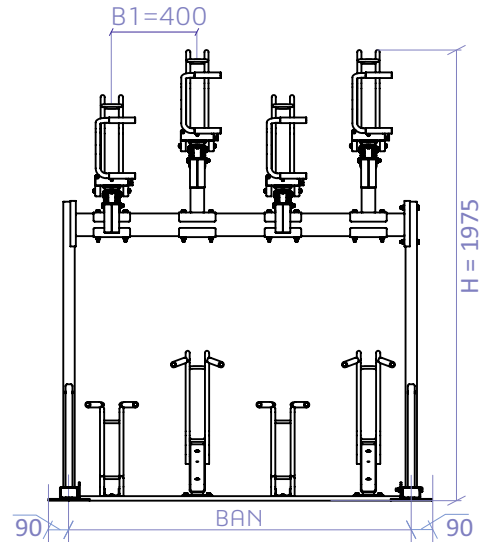
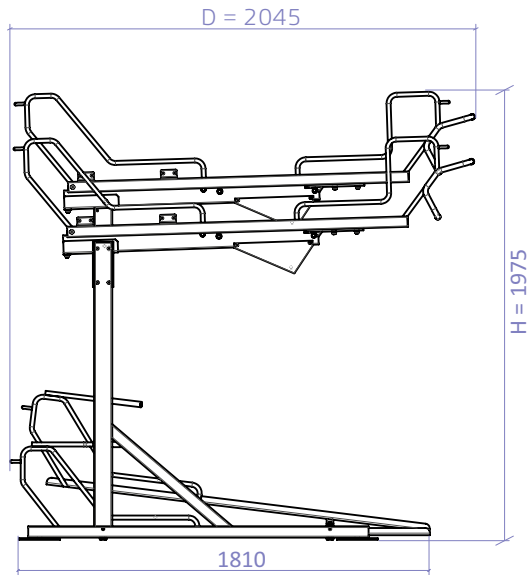
95-020 Bedoń k/Łodzi
ul.Brzezińska 57

Contact

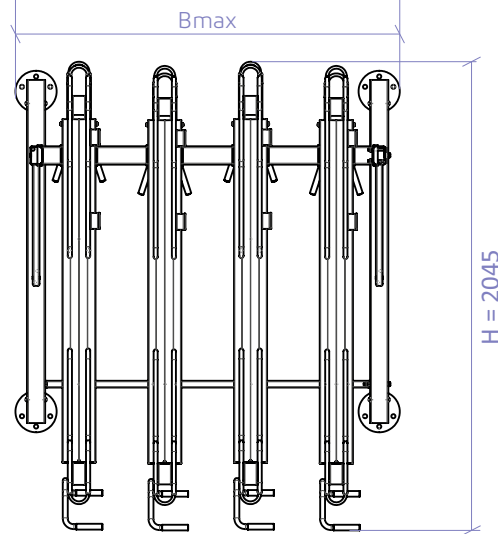
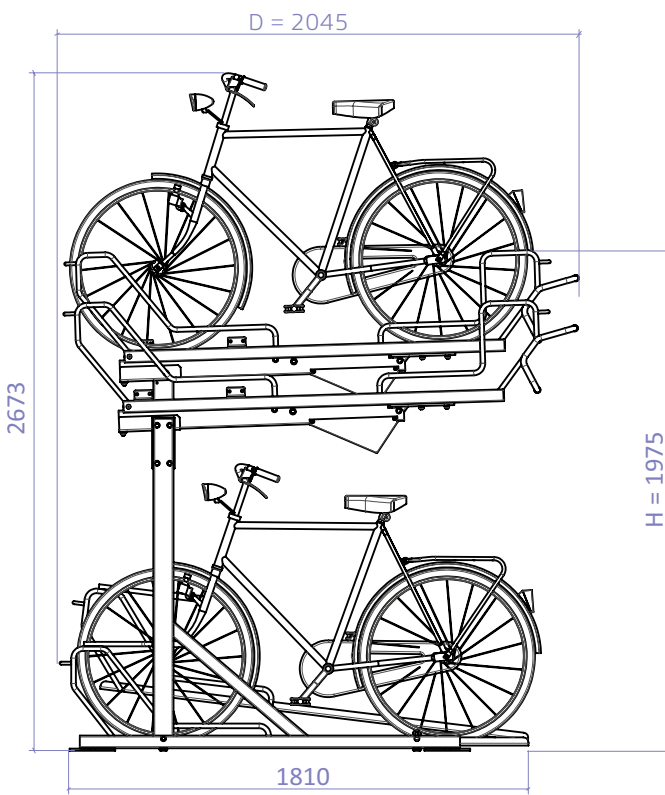
e-mail: offer@sawo.com.pl

www.sawo.com.pl

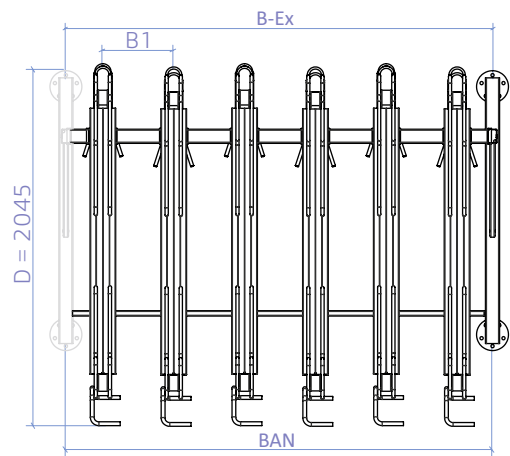
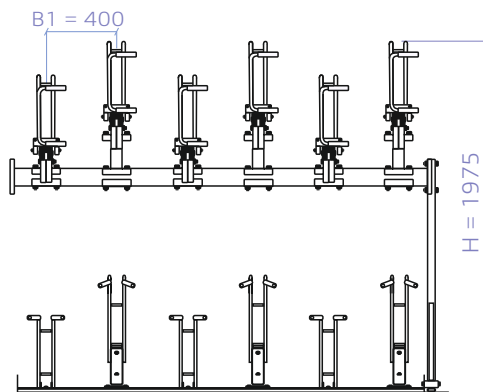
Basic Modules - main dimensions



spacing 400



Extension Modules - main dimensions



spacing 400

BR.400_S_X_XX

Single Basic-1 Modules. *spacing 400*

DIMENSIONS: BR.400_S_B_XX

TYPE	D	B1	BAN	B max	Weight [kg]
BR.400_S_B_16	2045	400	3200	3380	361
BR.400_S_B_12	2045	400	2400	2580	282
BR.400_S_B_08	2045	400	1600	1780	203
BR.400_S_B_04	2045	400	800	980	123

Extension modules for single Basic-1 modules. *spacing 400*

DIMENSIONS: BR.400_S_E_XX

TYPE	D	B1	BAN	B-Ex	Weight [kg]
BR.400_S_E_16	2045	400	3200	3200	340
BR.400_S_E_14*	2045	400	2800	2800	299
BR.400_S_E_12	2045	400	2400	2400	260
BR.400_S_E_10*	2045	400	2000	2000	220
BR.400_S_E_08	2045	400	1600	1600	181
BR.400_S_E_06*	2045	400	1200	1200	140
BR.400_S_E_04	2045	400	800	800	102

* An extension can only be used as the last module in a row

Single Basic-2 Modules. *spacing 400*

DIMENSIONS: BR.400_S_B_XX

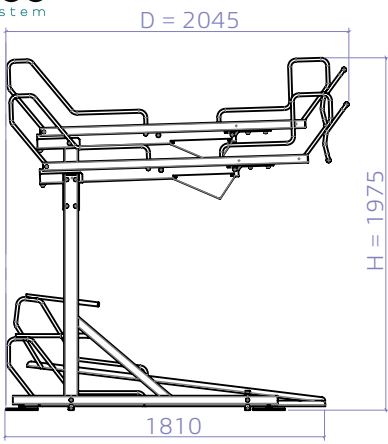
Non-extensible modules

TYPE	D	B1	BAN	B max	Weight [kg]
BR.400_S_B_14**	2045	400	2800	2980	321
BR.400_S_B_10**	2045	400	2000	2180	241
BR.400_S_B_06**	2045	400	1200	1380	162

**Free-standing racks only - cannot be extended with additional modules

Single Basic-1 Modules

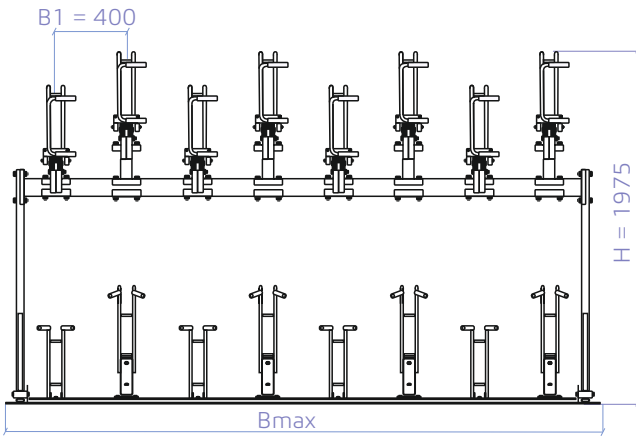
spacing 400



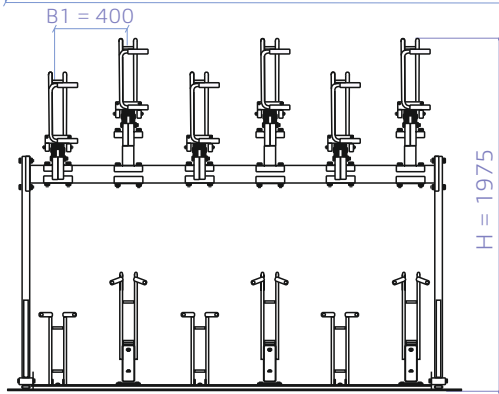
DIMENSIONS: BR.400_S_B_xx

TYPE	D	B1	BAN	B max	Weight [kg]
BR.400_S_B_16	2045	400	3200	3380	361
BR.400_S_B_12	2045	400	2400	2580	282
BR.400_S_B_08	2045	400	1600	1780	203
BR.400_S_B_04	2045	400	800	980	123

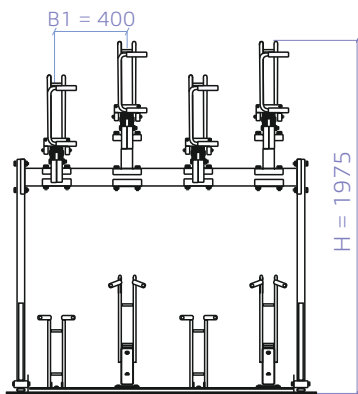
BR.400_S_B_16



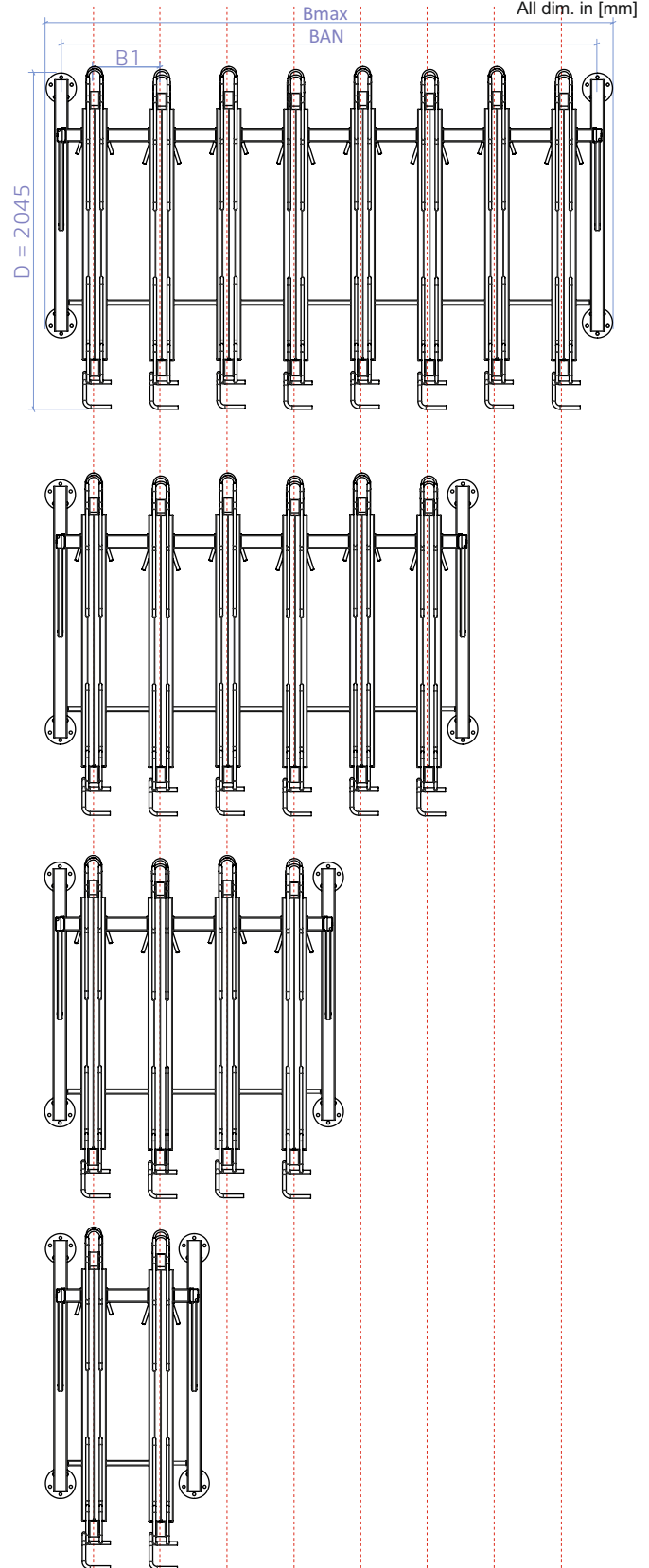
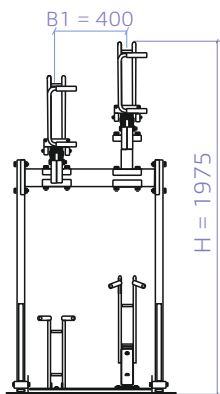
BR.400_S_B_12



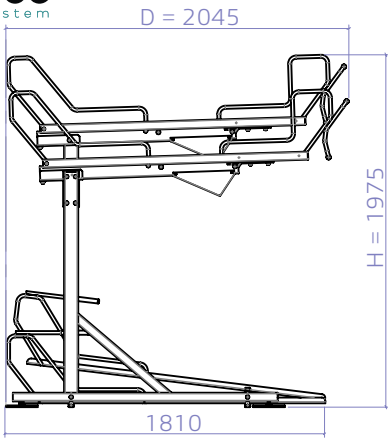
BR.400_S_B_08



BR.400_S_B_04



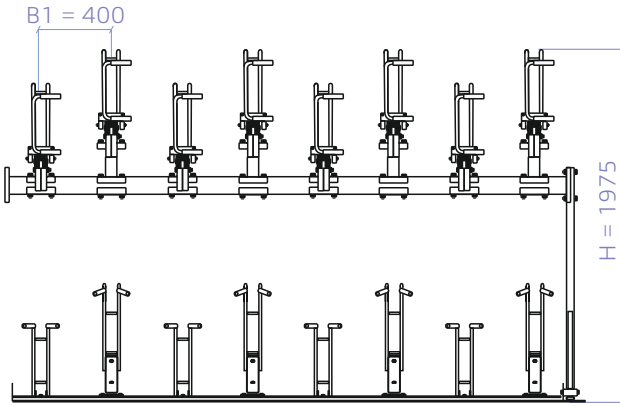
Extension modules for single Basic-1 modules. *spacing 400*



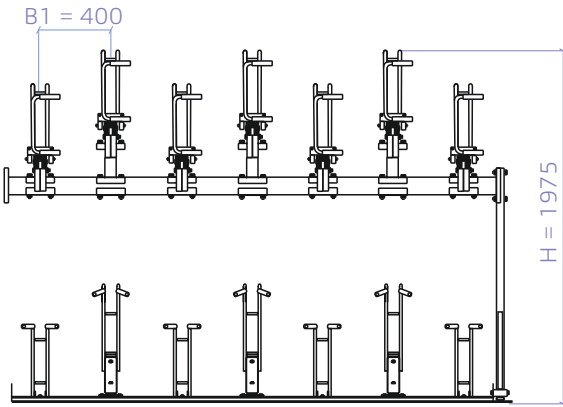
DIMENSIONS: BR.400_S_E_xx

TYPE	D	B1	BAN	B-Ex	Weight [kg]
BR.400_S_E_16	2045	400	3200	3200	340
BR.400_S_E_14*	2045	400	2800	2800	299
BR.400_S_E_12	2045	400	2400	2400	260
BR.400_S_E_10*	2045	400	2000	2000	220

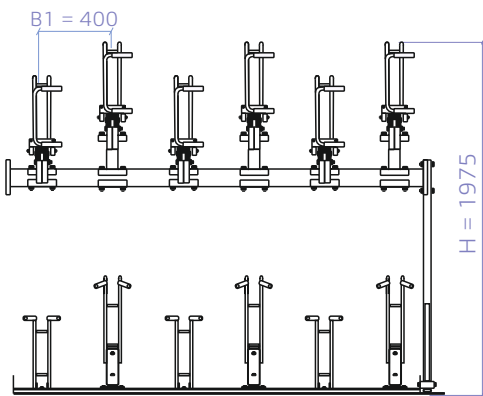
BR.400_S_E_16



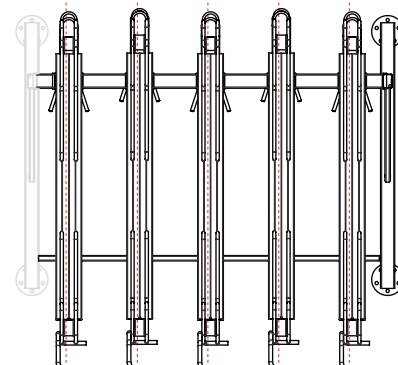
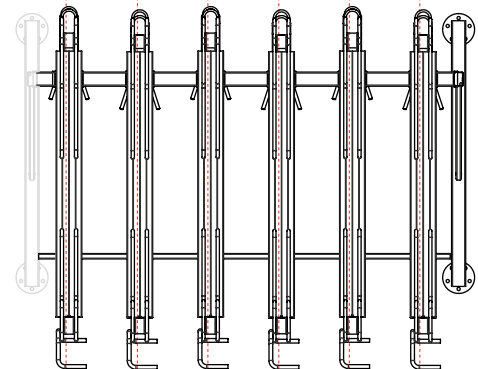
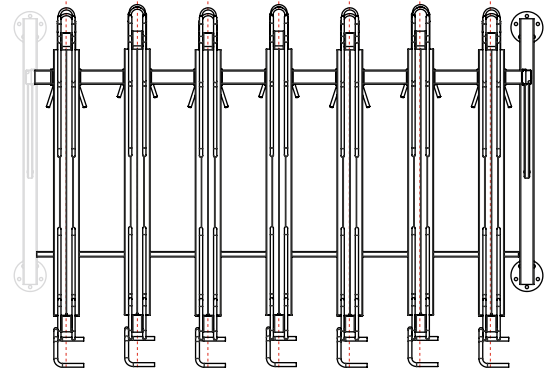
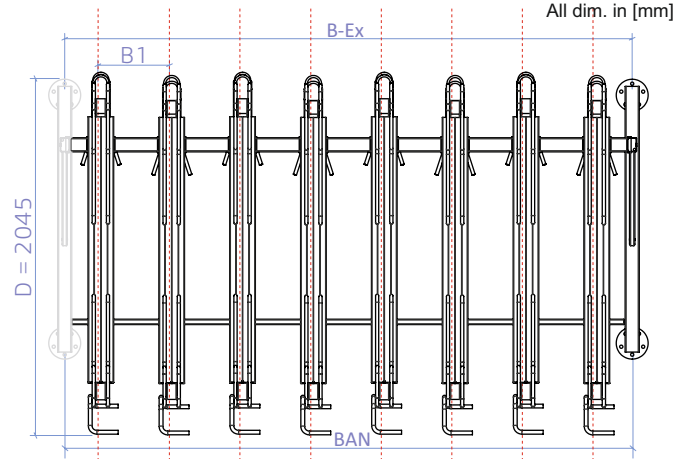
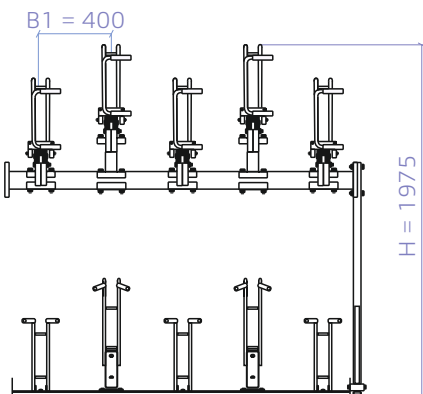
BR.400_S_E_14



BR.400_S_E_12

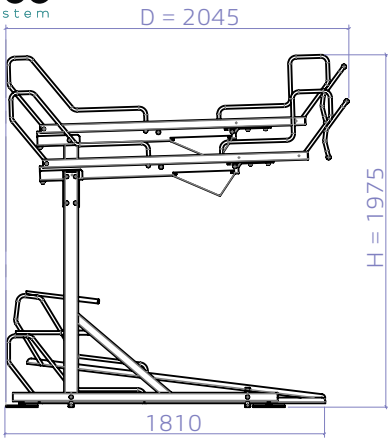


BR.400_S_E_10



All dim. in [mm]

Extension modules for single Basic-1 modules. *spacing 400*



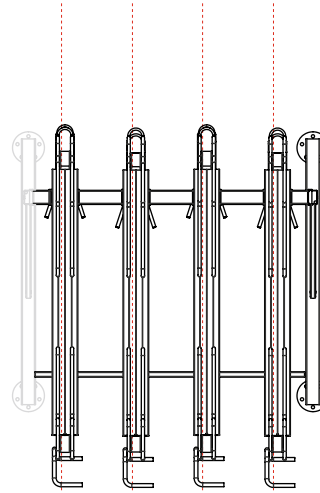
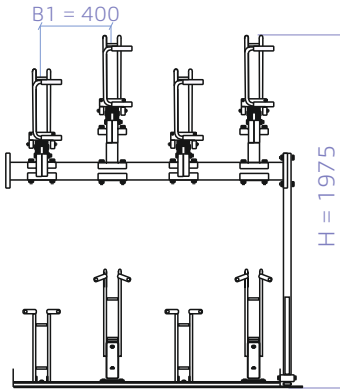
DIMENSIONS: BR.400_S_E_xx

TYPE	D	B1	BAN	B-Ex	Weight [kg]
BR.400_S_E_08	2045	400	1600	1600	181
BR.400_S_E_06*	2045	400	1200	1200	140
BR.400_S_E_04	2045	400	800	800	102

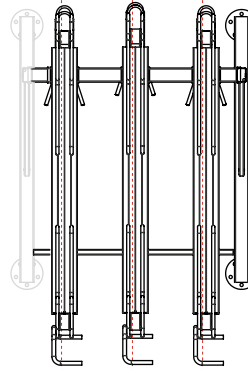
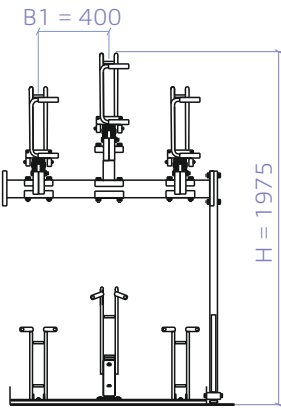
* An extension can only be used as the last module in a row

All dim. in [mm]

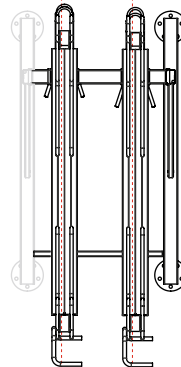
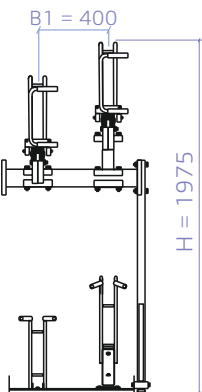
BR.400_S_E_08



BR.400_S_E_06



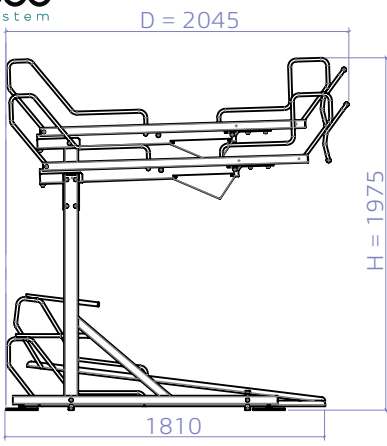
BR.400_S_E_04



Single Basic-2 Modules

spacing 400

Non-extensible modules



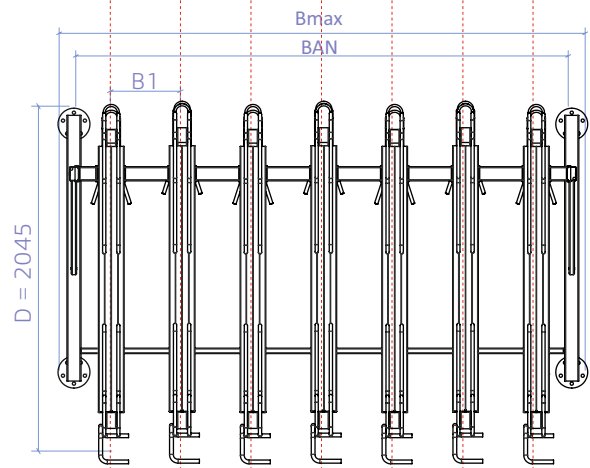
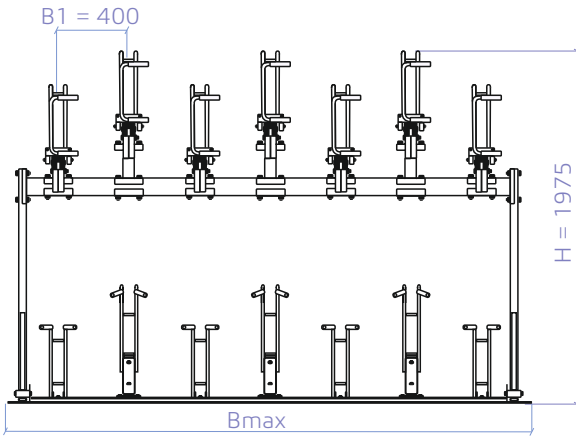
DIMENSIONS: BR.400_S_B_xx

TYPE	D	B1	BAN	B max	Weight [kg]
BR.400_S_B_14**	2045	400	2800	2980	321
BR.400_S_B_10**	2045	400	2000	2180	241
BR.400_S_B_06**	2045	400	1200	1380	162

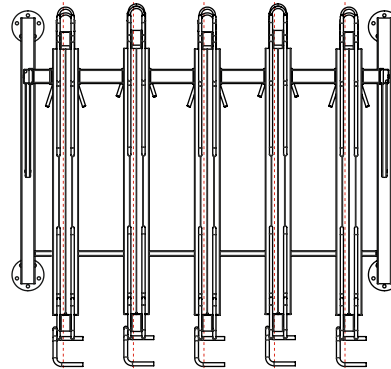
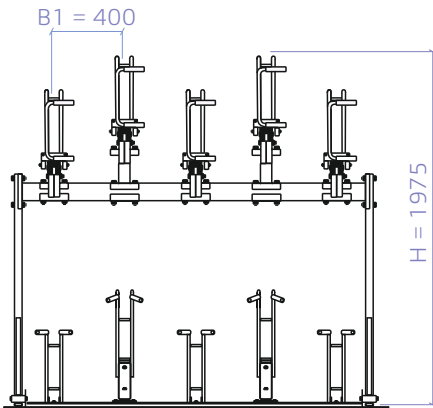
**Free-standing racks only - cannot be extended with additional modules

All dim. in [mm]

BR.400_S_B_14



BR.400_S_B_10



BR.400_S_B_06

