

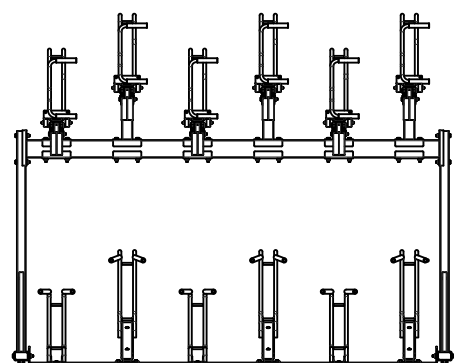
WYMIARY: BR.400_S_B_12

TYPE	D	B1	BAN	B max	Waga [kg]
BR.400_S_B_12	2045	400	2400	2580	281

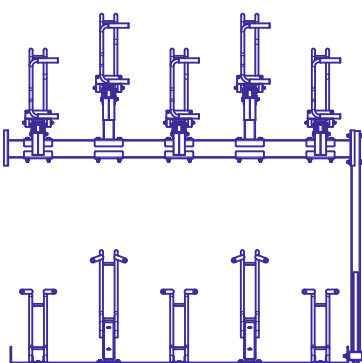
WYMIARY: BR.400_S_E_10

TYPE	D	B1	BAN	B-Ex	Waga [kg]
BR.400_S_E_10	2045	400	2000	2000	219

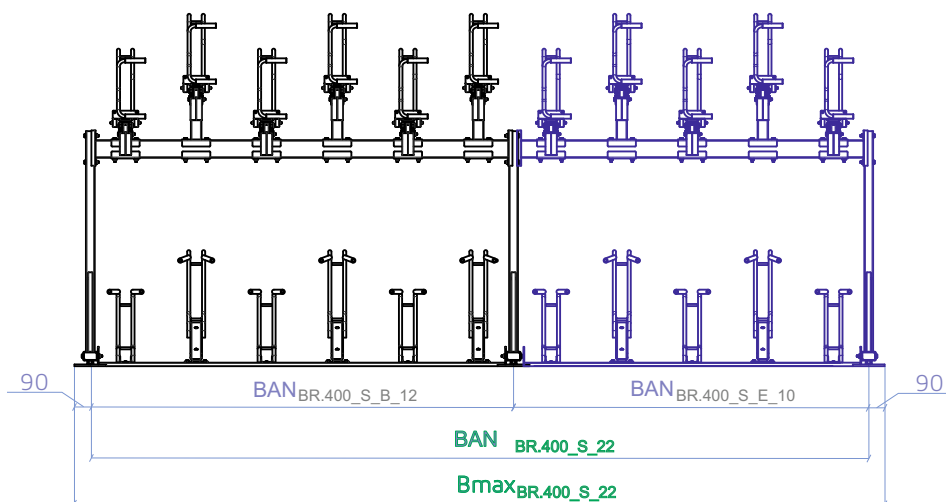
BR.400_S_B_12



BR.400_S_E_10



BR.400_S_B_12 + BR.400_S_E_10 = BR.400_S_22



$$BAN_{BR.400_S_B_12} = 2400 \text{ mm}$$

$$BAN_{BR.400_S_E_10} = 2000 \text{ mm}$$

$$BAN_{BR.400_S_22} = BAN_{BR.400_S_B_12} + BAN_{BR.400_S_E_10} = 2400 + 2000 = 4400 \text{ mm}$$

$$Bmax_{BR.400_S_22} = BAN_{BR.400_S_B_12} + BAN_{BR.400_S_E_10} + 90 + 90 = 2400 + 2000 + 90 + 90 = 4580 \text{ mm}$$

$$Waga_{BR.400_S_22} = Waga_{BR.400_S_B_12} + Waga_{BR.400_S_E_10} = 281 + 219 = 500 \text{ kg}$$

WYMIARY: BR.400_S_22

TYP	D	B1	BAN	B max	Waga [kg]
BR.400_S_22	2045	400	4400	4580	500

WYMIARY: BR.400_S_B_16

TYP	D	B1	BAN	B max	Waga [kg]
BR.400_S_B_16	2045	400	3200	3380	358

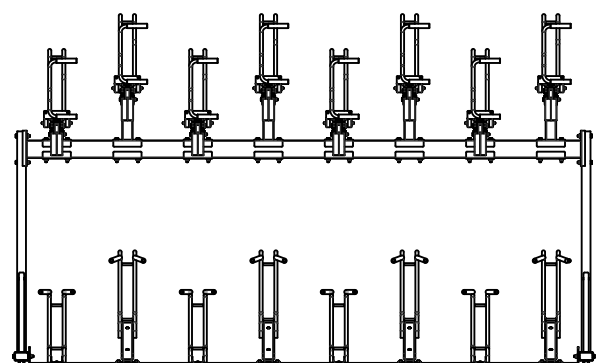
WYMIARY: BR.400_S_E_12

TYP	D	B1	BAN	B-Ex	Waga [kg]
BR.400_S_E_12	2045	400	2400	2400	259

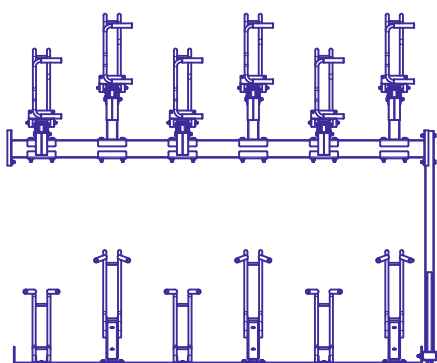
WYMIARY: BR.400_S_E_10

TYP	D	B1	BAN	B-Ex	Waga [kg]
BR.400_S_E_10	2045	400	2000	2000	219

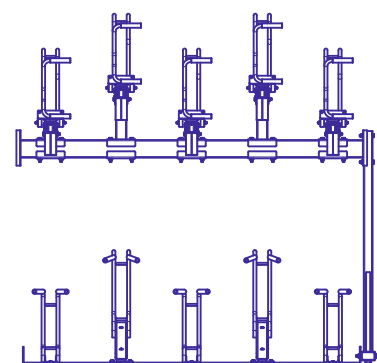
BR.400_S_B_16



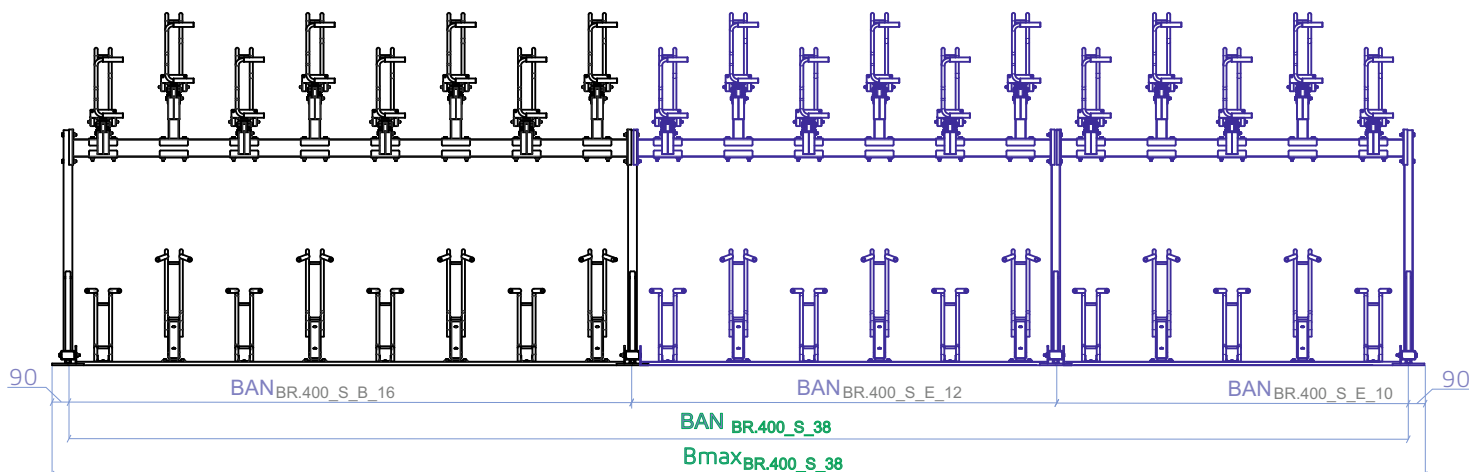
BR.400_S_E_12



BR.400_S_E_10



$$\text{BR.400_S_B_16} + \text{BR.400_S_E_12} + \text{BR.400_S_E_10} = \text{BR.400_S_38}$$



$$\text{BAN}_{\text{BR.400_S_B_16}} = 3200 \text{ mm}$$

$$\text{BAN}_{\text{BR.400_S_E_12}} = 2400 \text{ mm}$$

$$\text{BAN}_{\text{BR.400_S_E_10}} = 2000 \text{ mm}$$

$$\text{BAN}_{\text{BR.400_S_38}} = \text{BAN}_{\text{BR.400_S_B_16}} + \text{BAN}_{\text{BR.400_S_E_12}} + \text{BAN}_{\text{BR.400_S_E_10}} = 3200 + 2400 + 2000 = 7600 \text{ mm}$$

$$\text{Bmax}_{\text{BR.400_S_38}} = \text{BAN}_{\text{BR.400_S_B_16}} + \text{BAN}_{\text{BR.400_S_E_12}} + \text{BAN}_{\text{BR.400_S_E_10}} + 90 + 90 = 3200 + 2400 + 2000 + 90 + 90 = 7780 \text{ mm}$$

$$\text{Waga}_{\text{BR.400_S_38}} = \text{Waga}_{\text{BR.400_S_B_16}} + \text{Waga}_{\text{BR.400_S_E_12}} + \text{Waga}_{\text{BR.400_S_E_10}} = 358 + 259 + 219 = 836 \text{ kg}$$

WYMIARY: BR.400_S_38

TYP	D	B1	BAN	B max	Waga [kg]
BR.400_S_38	2045	400	7600	7780	836

