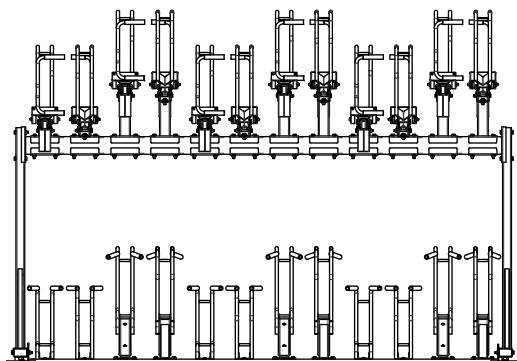
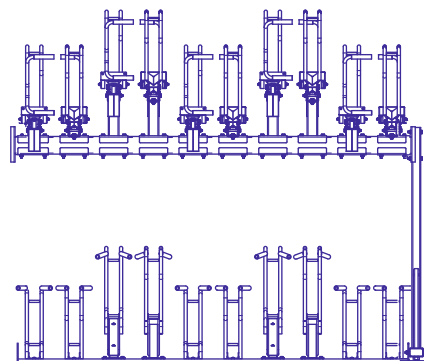


## Przykład konfiguracji nr 1

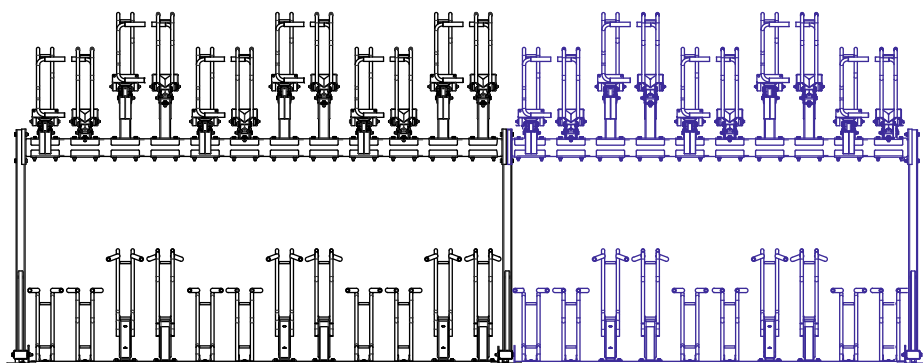


BR.450\_D\_B\_24



BR.450\_D\_E\_20

$$\text{BR.450\_D\_B\_24} + \text{BR.450\_D\_E\_20} = \text{BR.450\_D\_44}$$



## WYMIARY: BR.450\_D\_B\_24

TYP	D	B1	BAN	B max	Waga [kg]
BR.450_D_B_24	3280	450	2710	2890	509

## WYMIARY: BR.450\_D\_E\_20

TYP	D	B1	BAN	B-Ex	Waga [kg]
BR.450_D_E_20*	3280	450	2260	2260	403

$$\text{BAN}_{\text{BR.450\_D\_B\_24}} = 2710 \text{ mm}$$

$$\text{BAN}_{\text{BR.450\_D\_E\_20}} = 2260 \text{ mm}$$

$$\text{BAN}_{\text{BR.450\_D\_44}} = \text{BAN}_{\text{BR.450\_D\_B\_24}} + \text{BAN}_{\text{BR.450\_D\_E\_20}}$$

$$\text{BAN}_{\text{BR.450\_D\_44}} = 2710 + 2260 = 4970 \text{ mm}$$

$$\text{Bmax}_{\text{BR.450\_D\_44}} = \text{BAN}_{\text{BR.450\_D\_B\_24}} + \text{BAN}_{\text{BR.450\_D\_E\_20}} + 90 + 90$$

$$\text{Bmax}_{\text{BR.450\_D\_44}} = 2710 + 2260 + 90 + 90 = 5150 \text{ mm}$$

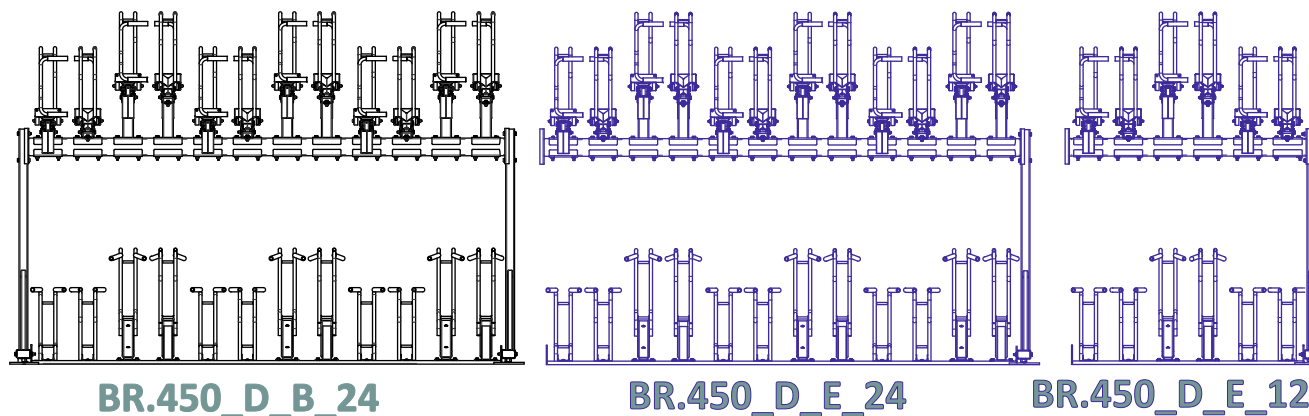
$$\text{Waga}_{\text{BR.450\_D\_44}} = \text{Waga}_{\text{BR.450\_D\_B\_24}} + \text{Waga}_{\text{BR.450\_D\_E\_20}}$$

$$\text{Waga}_{\text{BR.450\_D\_44}} = 509 + 403 = 912 \text{ kg}$$

## WYMIARY: BR.450\_D\_44

TYP	D	B1	BAN	B max	Waga [kg]
BR.450_D_44	3280	450	4970	5150	912

## Przykład konfiguracji nr 2



## WYMIARY: BR.450\_D\_B\_24

TYP	D	B1	BAN	B max	Waga [kg]
BR.450_D_B_24	3280	450	2710	2890	509

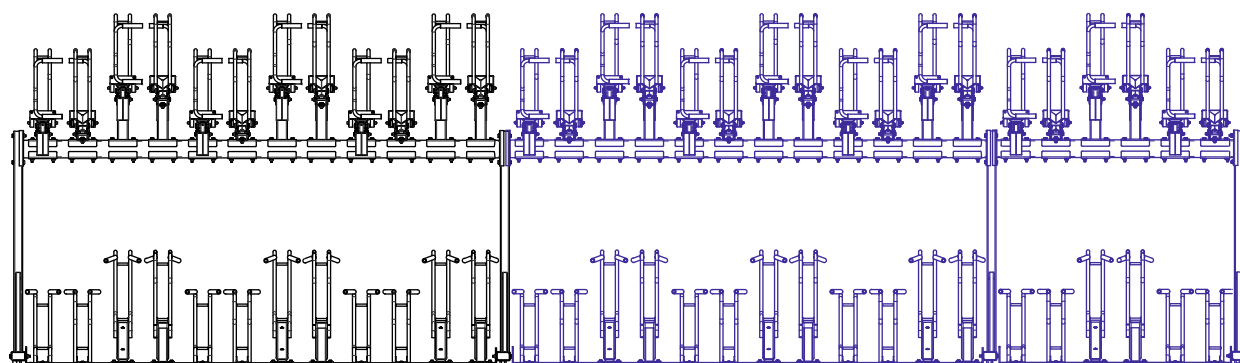
## WYMIARY: BR.450\_D\_E\_24

TYP	D	B1	BAN	B-Ex	Waga [kg]
BR.450_D_E_24	3280	450	2710	2710	480

## WYMIARY: BR.450\_D\_E\_12

TYP	D	B1	BAN	B-Ex	Waga [kg]
BR.450_D_E_12*	3280	450	1360	1360	254

$$\text{BR.450\_D\_B\_24} + \text{BR.450\_D\_E\_24} + \text{BR.450\_D\_E\_12} = \text{BR.450\_D\_60}$$



$$\text{BAN}_{\text{BR.450\_D\_B\_24}} = 2710 \text{ mm}$$

$$\text{BAN}_{\text{BR.450\_D\_E\_24}} = 2710 \text{ mm}$$

$$\text{BAN}_{\text{BR.450\_D\_E\_12}} = 1360 \text{ mm}$$

$$\text{BAN}_{\text{BR.450\_D\_60}} = \text{BAN}_{\text{BR.450\_D\_B\_24}} + \text{BAN}_{\text{BR.450\_D\_E\_24}} + \text{BAN}_{\text{BR.450\_D\_E\_12}}$$

$$\text{BAN}_{\text{BR.450\_D\_60}} = 2710 + 2710 + 1360 = 6780 \text{ mm}$$

$$\text{Bmax}_{\text{BR.450\_D\_60}} = \text{BAN}_{\text{BR.450\_D\_B\_24}} + \text{BAN}_{\text{BR.450\_D\_E\_24}} + \text{BAN}_{\text{BR.450\_D\_E\_12}} + 90 + 90$$

$$\text{Bmax}_{\text{BR.450\_D\_60}} = 2710 + 2710 + 1360 + 90 + 90 = 6960 \text{ mm}$$

$$\text{Waga}_{\text{BR.450\_D\_60}} = \text{Waga}_{\text{BR.450\_D\_B\_24}} + \text{Waga}_{\text{BR.450\_D\_E\_24}} + \text{Waga}_{\text{BR.450\_D\_E\_12}}$$

$$\text{Waga}_{\text{BR.450\_D\_60}} = 509 + 480 + 254 = 1243 \text{ kg}$$

## WYMIARY: BR.450\_D\_60

TYP	D	B1	BAN	B max	Waga [kg]
BR.450_D_60	3280	450	6780	6960	1243

