

Two Tier **Bike Rack** BR.450_S

single, spacing 450 mm

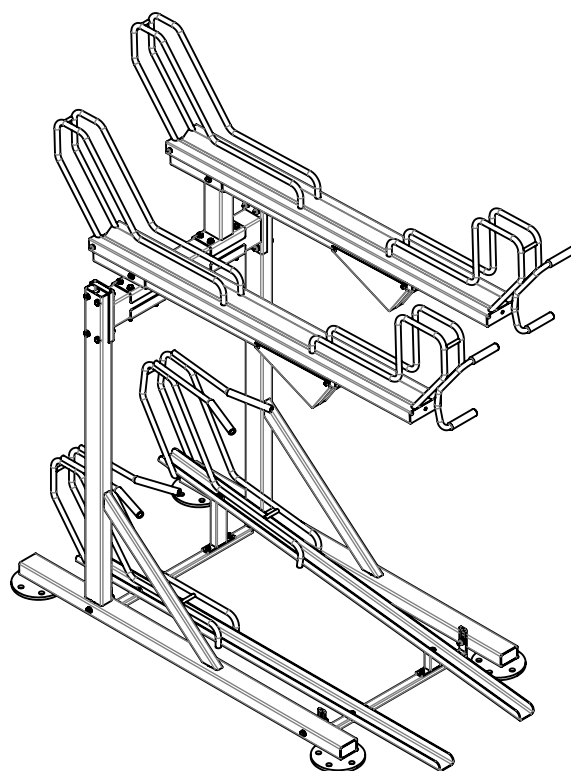
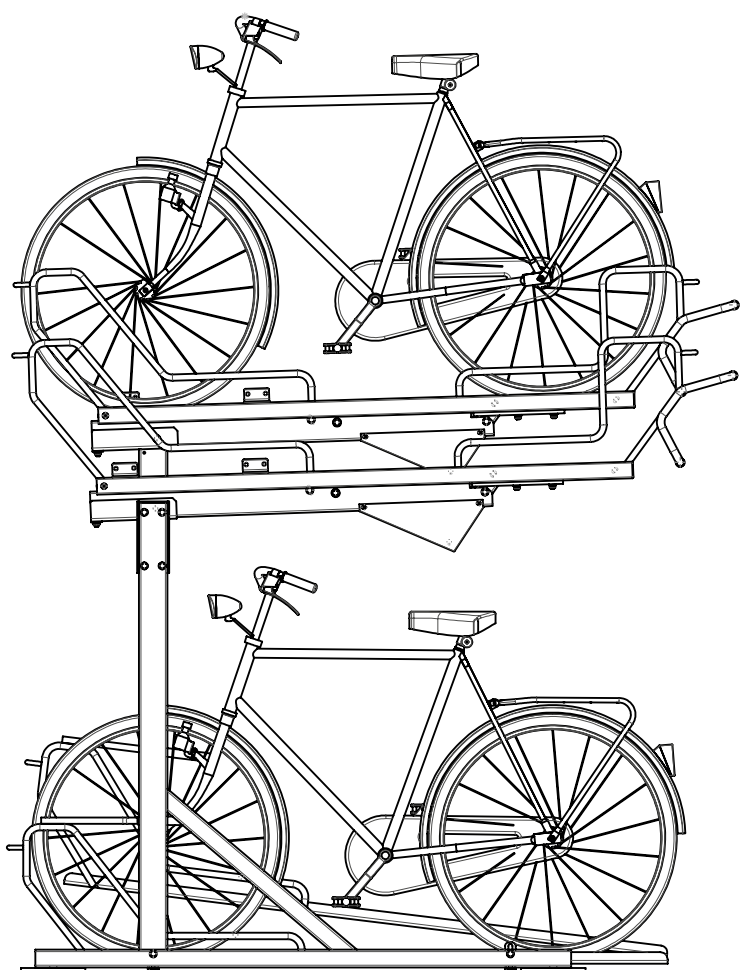
Base Modules

Extension Modules

Dimensions

Models

Configuration example



Office & Production facility

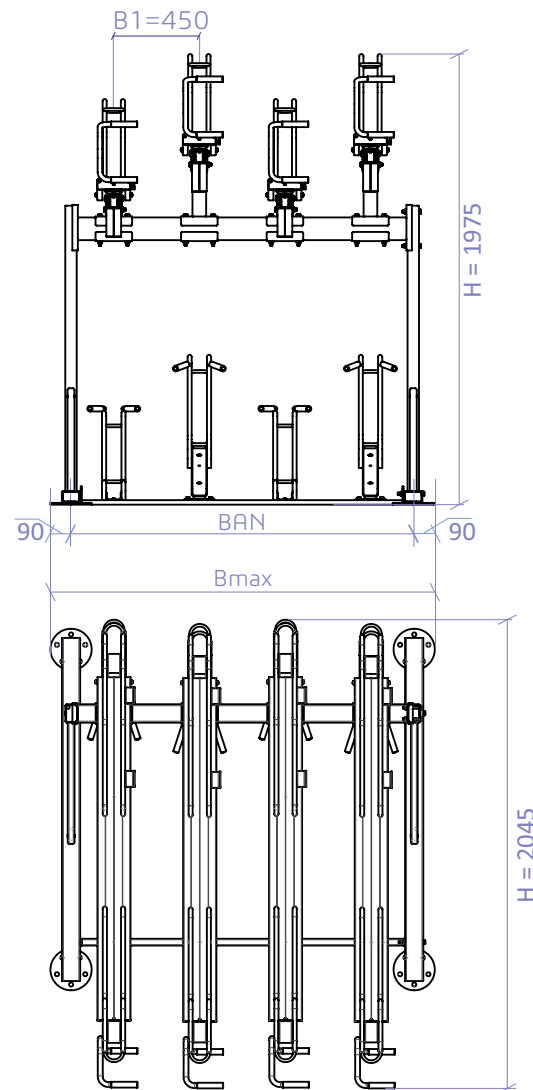
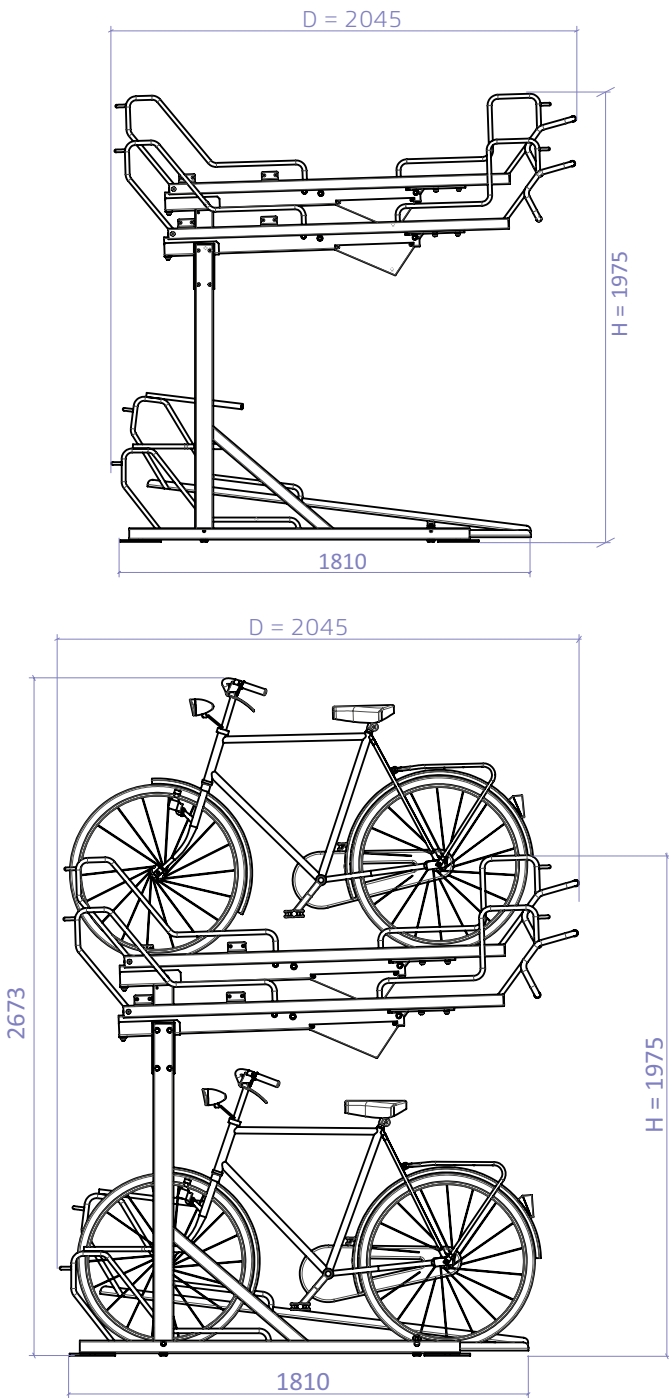
95-020 Bedoń k/Łodzi
ul.Brzezińska 57

Contact

e-mail: offer@sawo.com.pl

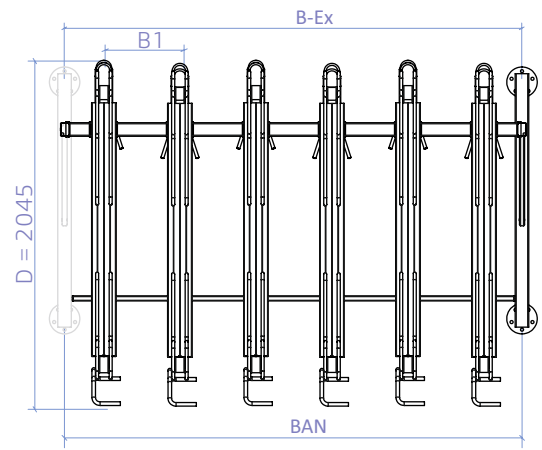
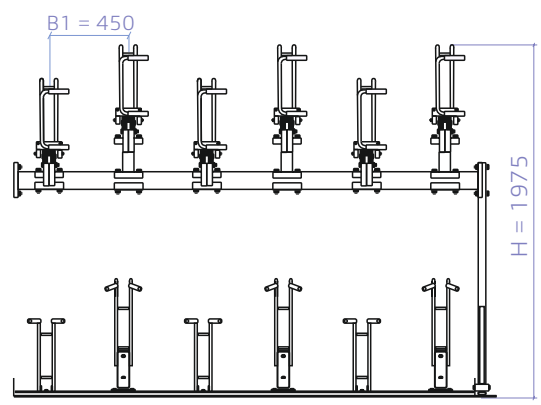
www.sawo.com.pl

Basic Modules - main dimensions



spacing 450

Extension Modules - main dimensions



spacing 450

BR.450_S_X_XX

Single Basic-1 Modules. *spacing 450*

DIMENSIONS: BR.450_S_B_XX

TYPE	D	B1	BAN	B max	Weight [kg]
-	-	-	-	-	-
BR.450_S_B_12	2045	450	2700	2880	285
BR.450_S_B_08	2045	450	1800	1980	205
BR.450_S_B_04	2045	450	900	1080	124

Extension modules for single Basic-1 modules. *spacing 450*

DIMENSIONS: BR.450_S_E_XX

TYPE	D	B1	BAN	B-Ex	Weight [kg]
-	-	-	-	-	-
BR.450_S_E_14*	2045	450	3150	3150	303
BR.450_S_E_12	2045	450	2700	2700	264
BR.450_S_E_10*	2045	450	2250	2250	222
BR.450_S_E_08	2045	450	1800	1800	183
BR.450_S_E_06*	2045	450	1350	1350	142
BR.450_S_E_04	2045	450	900	900	103

* An extension can only be used as the last module in a row

Single Basic-2 Modules. *spacing 450*

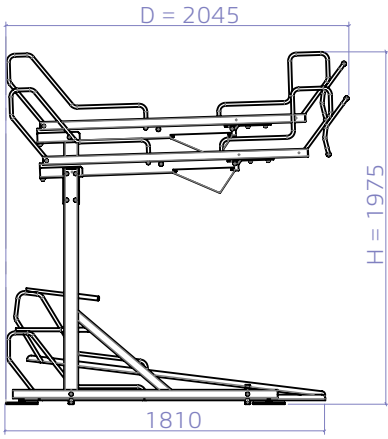
DIMENSIONS: BR.450_S_B_XX **Non-extensible modules**

TYPE	D	B1	BAN	B max	Weight [kg]
BR.450_S_B_14**	2045	450	3150	3330	324
BR.450_S_B_10**	2045	450	2250	2430	244
BR.450_S_B_06**	2045	450	1350	1530	163

**Free-standing racks only - cannot be extended with additional modules

Single Basic-1 Modules

spacing 450

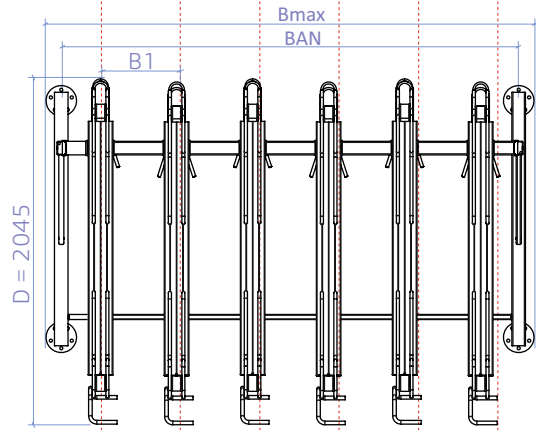
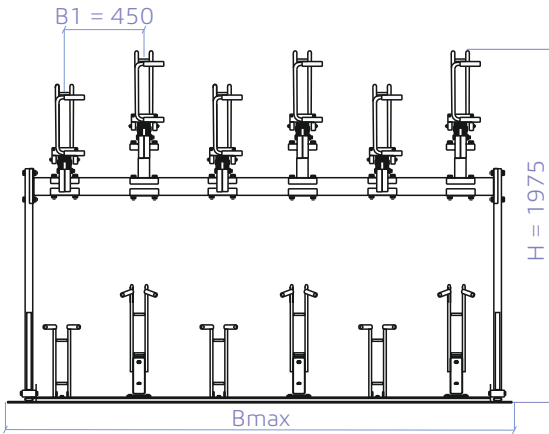


DIMENSIONS: BR.450_S_B_xx

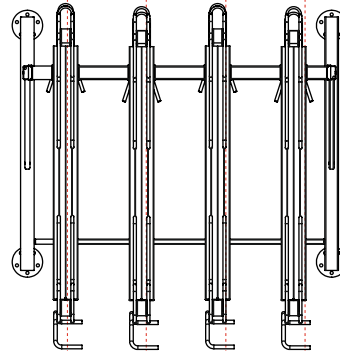
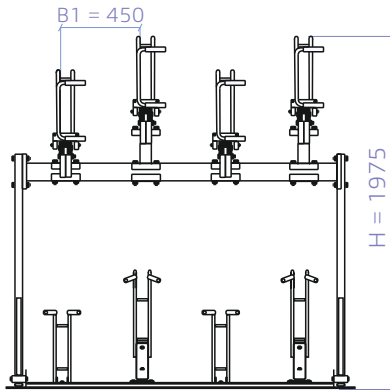
TYPE	D	B1	BAN	B max	Weight [kg]
-	-	-	-	-	-
BR.450_S_B_12	2045	450	2700	2880	285
BR.450_S_B_08	2045	450	1800	1980	205
BR.450_S_B_04	2045	450	900	1080	124

All dim. in [mm]

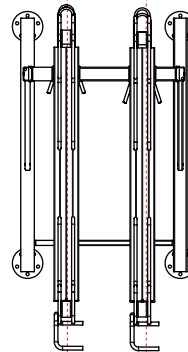
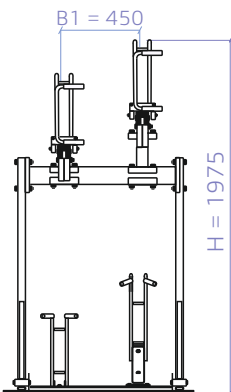
BR.450_S_B_12



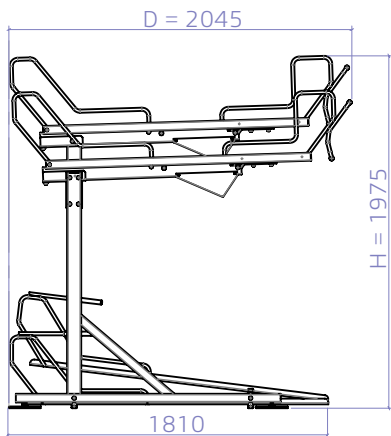
BR.450_S_B_08



BR.450_S_B_04



Extension modules for single Basic-1 modules. *spacing 450*



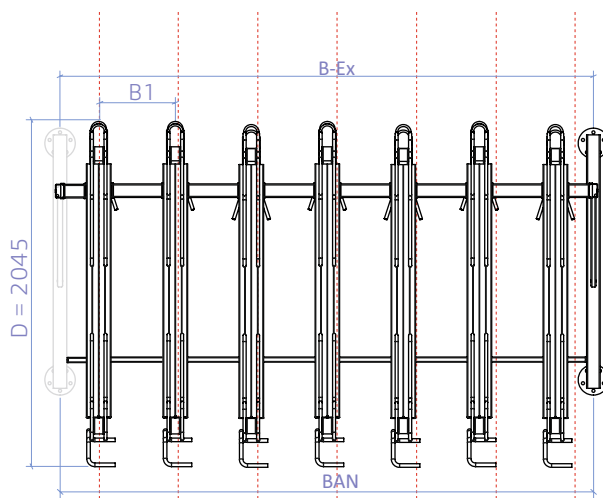
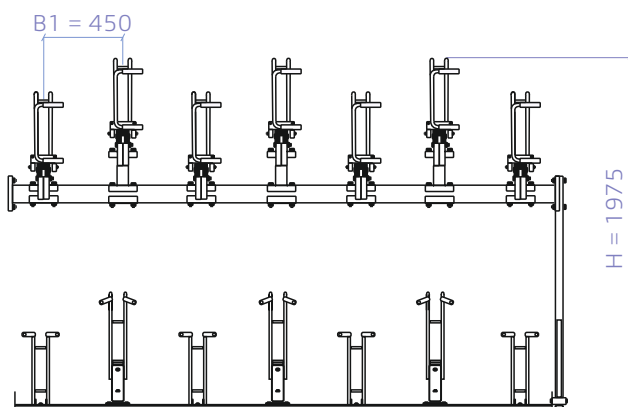
DIMENSIONS: BR.450_S_E_xx

TYPE	D	B1	BAN	B-Ex	Weight [kg]
-	-	-	-	-	-
BR.450_S_E_14*	2045	450	3150	3150	303
BR.450_S_E_12	2045	450	2700	2700	264
BR.450_S_E_10*	2045	450	2250	2250	222

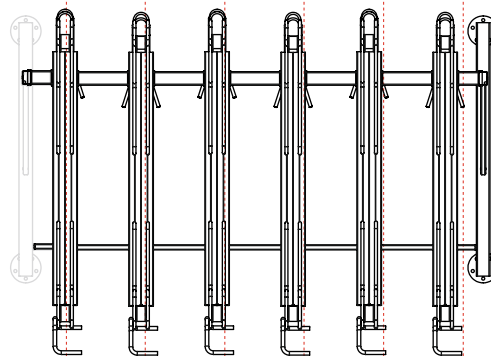
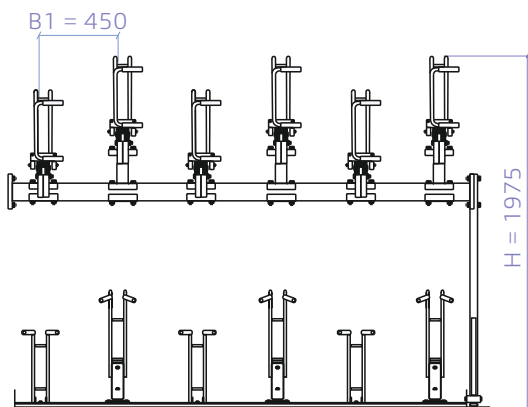
* An extension can only be used as the last module in a row

All dim. in [mm]

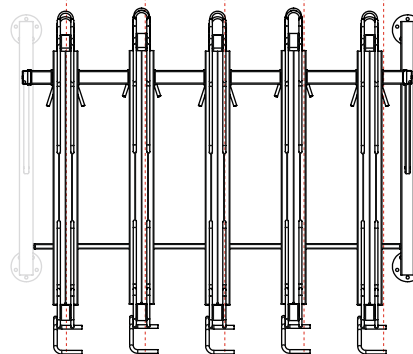
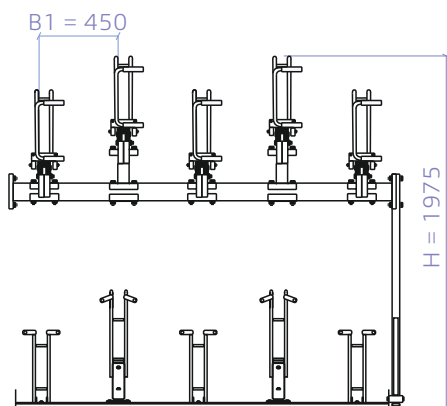
BR.450_S_E_14



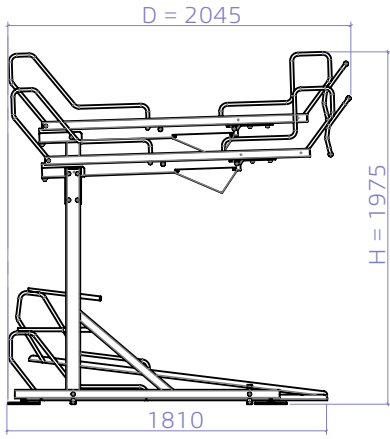
BR.450_S_E_12



BR.450_S_E_10



Extension modules for single Basic-1 modules. *spacing 450*



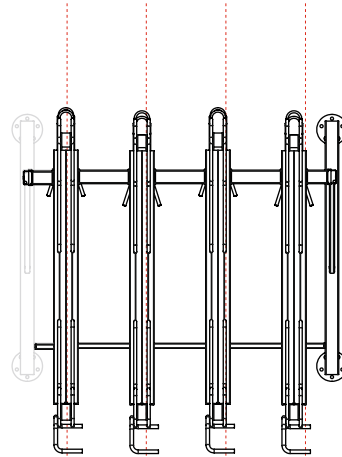
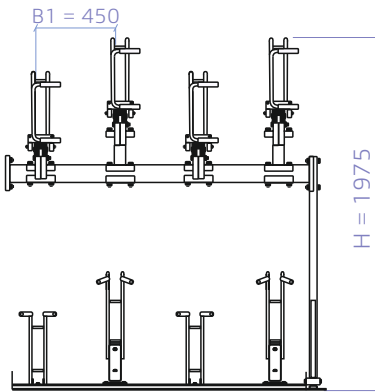
DIMENSIONS: BR.450_S_E_xx

TYPE	D	B1	BAN	B-Ex	Weight [kg]
BR.450_S_E_08	2045	450	1800	1800	183
BR.450_S_E_06*	2045	450	1350	1350	142
BR.450_S_E_04	2045	450	900	900	103

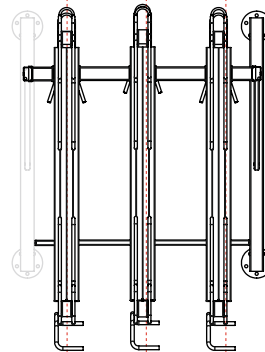
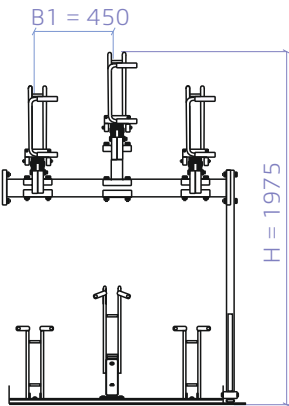
* An extension can only be used as the last module in a row

All dim. in [mm]

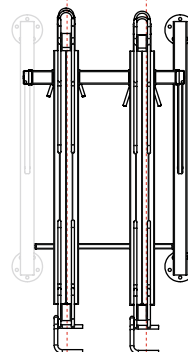
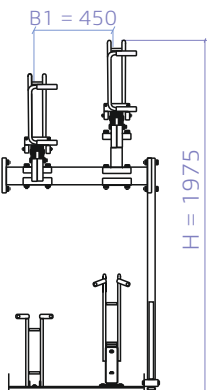
BR.450_S_E_08



BR.450_S_E_06



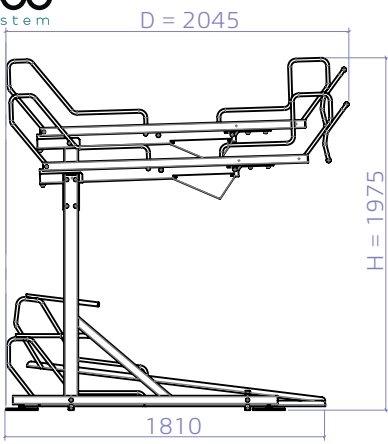
BR.450_S_E_04



Single Basic-2 Modules

spacing 450

Non-extensible modules



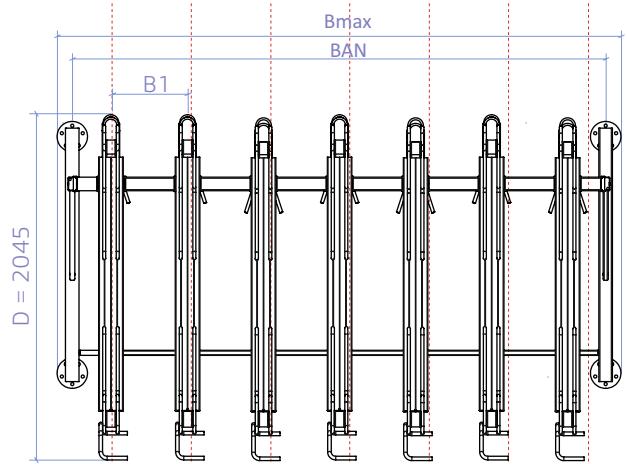
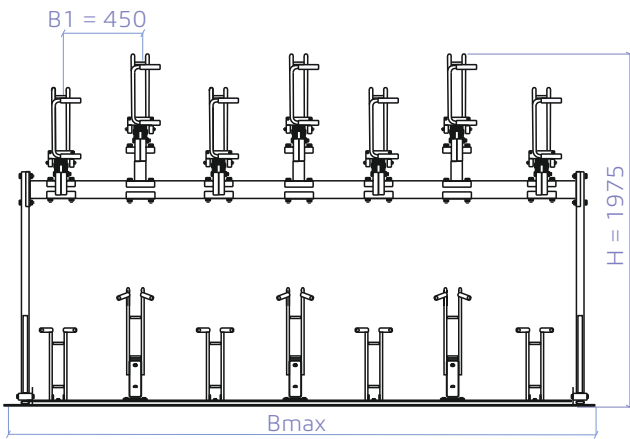
DIMENSIONS: BR.450_S_B_xx

TYPE	D	B1	BAN	B max	Weight [kg]
BR.450_S_B_14**	2045	450	3150	3330	324
BR.450_S_B_10**	2045	450	2250	2430	244
BR.450_S_B_06**	2045	450	1350	1530	163

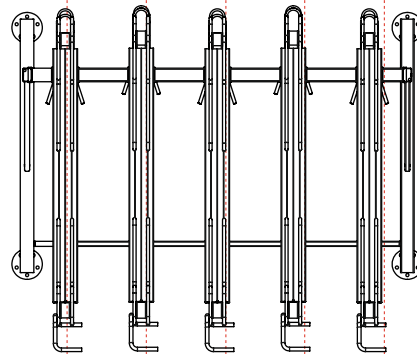
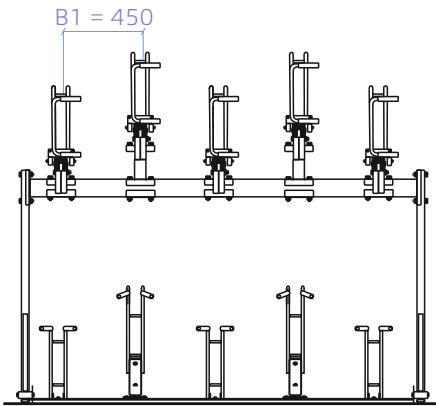
**Free-standing racks only - cannot be extended with additional modules

All dim. in [mm]

BR.450_S_B_14



BR.450_S_B_10



BR.450_S_B_06

