

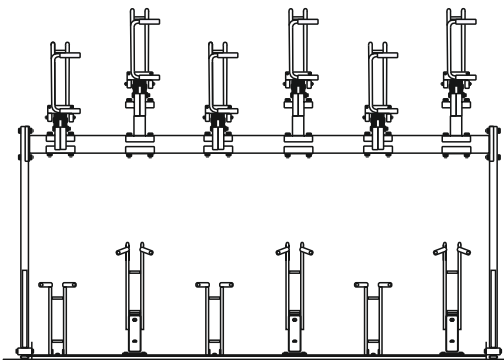
WYMIARY: BR.450_S_B_12

TYP	D	B1	BAN	B max	Waga [kg]
BR.450_S_B_12	2045	450	2700	2880	285

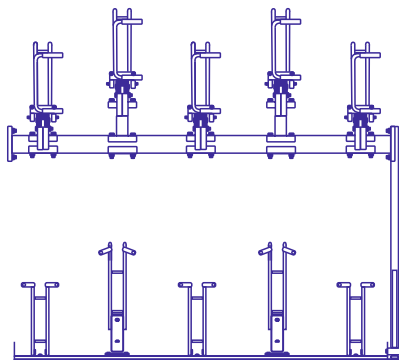
WYMIARY: BR.450_S_E_10

TYP	D	B1	BAN	B-Ex	Waga [kg]
BR.450_S_E_10	2045	450	2250	2250	222

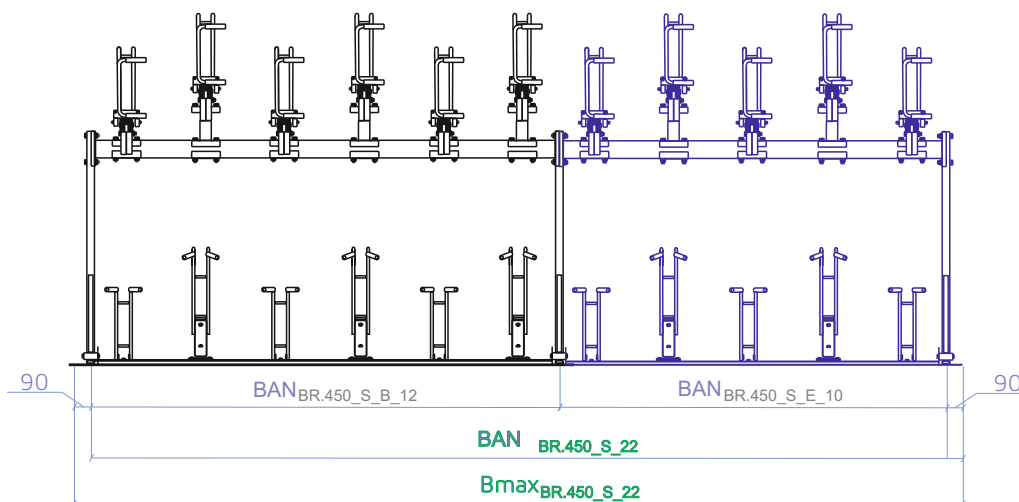
BR.450_S_B_12



BR.450_S_E_10



BR.450_S_B_12 + BR.450_S_E_10 = BR.450_S_22



$$BAN_{BR.450_S_B_12} = 2700 \text{ mm}$$

$$BAN_{BR.450_S_E_10} = 2250 \text{ mm}$$

$$BAN_{BR.450_S_22} = BAN_{BR.450_S_B_12} + BAN_{BR.450_S_E_10} = 2700 + 2250 = 4950 \text{ mm}$$

$$Bmax_{BR.450_S_22} = BAN_{BR.450_S_B_12} + BAN_{BR.450_S_E_10} + 90 + 90 = 2700 + 2250 + 90 + 90 = 5130 \text{ mm}$$

$$Waga_{BR.450_S_22} = Waga_{BR.450_S_B_12} + Waga_{BR.450_S_E_10} = 285 + 222 = 507 \text{ kg}$$

WYMIARY: BR.450_S_22

TYP	D	B1	BAN	B max	Waga [kg]
BR.450_S_22	2045	450	4950	5130	507

WYMIARY: BR.450_S_B_12

TYP	D	B1	BAN	B max	Waga [kg]
BR.450_S_B_12	2045	450	2700	2880	285

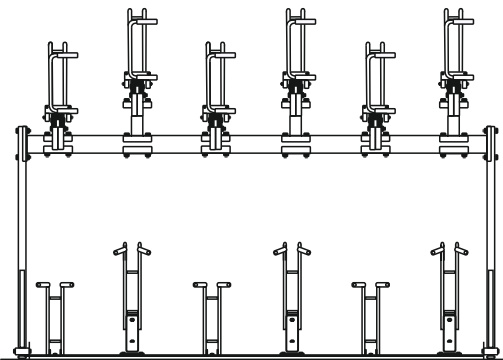
WYMIARY: BR.450_S_E_12

TYP	D	B1	BAN	B-Ex	Waga [kg]
BR.450_S_E_12	2045	450	2700	2700	264

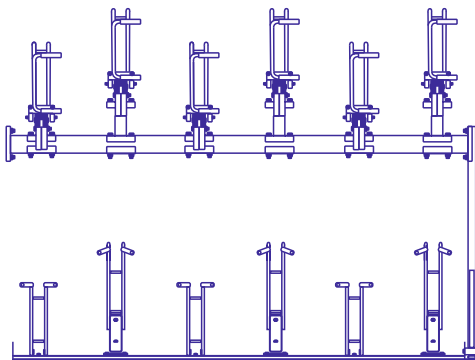
WYMIARY: BR.450_S_E_10

TYP	D	B1	BAN	B-Ex	Waga [kg]
BR.450_S_E_10	2045	450	2250	2250	222

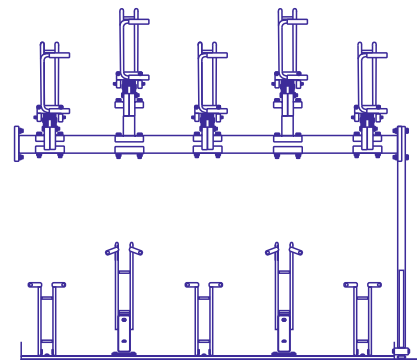
BR.450_S_B_12



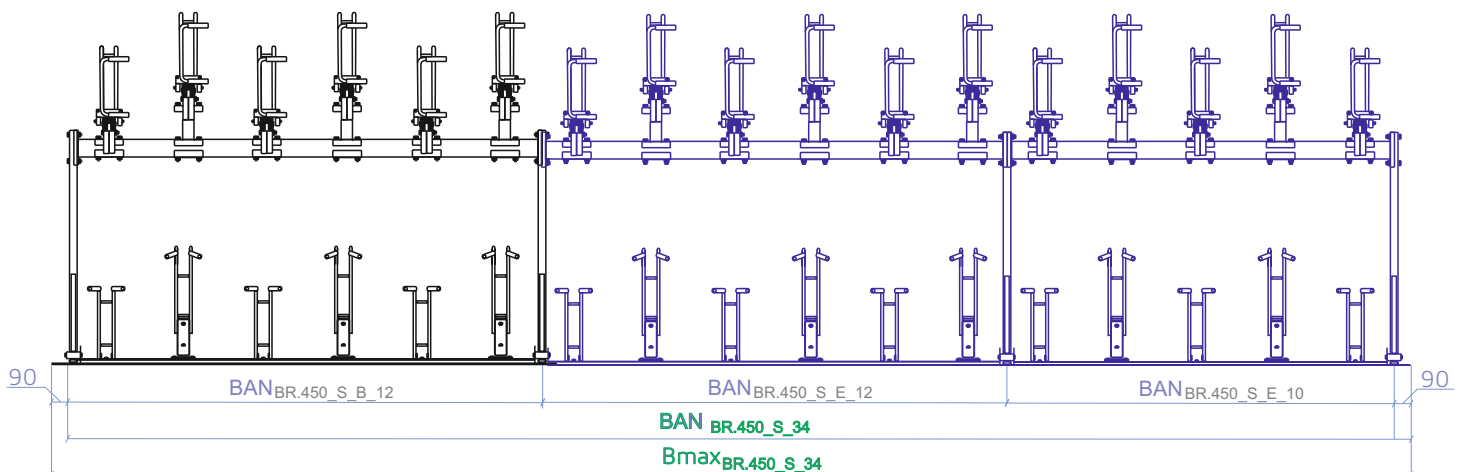
BR.450_S_E_12



BR.450_S_E_10



$$\text{BR.450_S_B_12} + \text{BR.450_S_E_12} + \text{BR.450_S_E_10} = \text{BR.450_S_34}$$



$$\text{BAN}_{\text{BR.450_S_B_12}} = 2700 \text{ mm}$$

$$\text{BAN}_{\text{BR.450_S_E_12}} = 2700 \text{ mm}$$

$$\text{BAN}_{\text{BR.450_S_E_10}} = 2250 \text{ mm}$$

$$\text{BAN}_{\text{BR.450_S_34}} = \text{BAN}_{\text{BR.450_S_B_12}} + \text{BAN}_{\text{BR.450_S_E_12}} + \text{BAN}_{\text{BR.450_S_E_10}} = 2700 + 2700 + 2250 = 7650 \text{ mm}$$

$$\text{Bmax}_{\text{BR.450_S_34}} = \text{BAN}_{\text{BR.450_S_B_12}} + \text{BAN}_{\text{BR.450_S_E_12}} + \text{BAN}_{\text{BR.450_S_E_10}} + 90 + 90 = 2700 + 2700 + 2250 + 90 + 90 = 7830 \text{ mm}$$

$$\text{Waga}_{\text{BR.450_S_34}} = \text{Waga}_{\text{BR.450_S_B_12}} + \text{Waga}_{\text{BR.450_S_E_12}} + \text{Waga}_{\text{BR.450_S_E_10}} = 285 + 264 + 222 = 771 \text{ kg}$$

WYMIARY: BR.450_S_34

TYP	D	B1	BAN	B max	Waga [kg]
BR.450_S_34	2045	450	7650	7830	771

