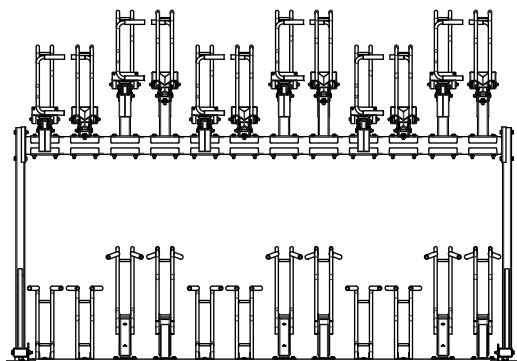
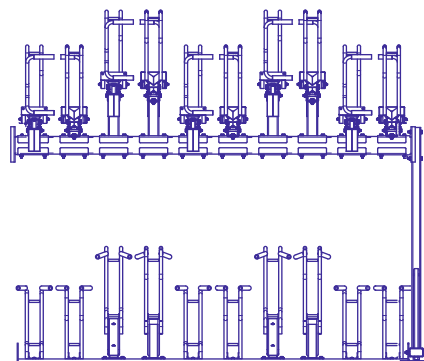


Przykład konfiguracji nr 1

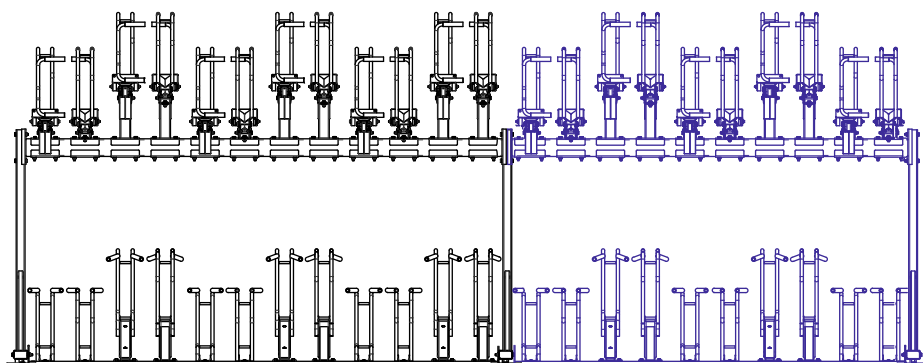


BR.500_D_B_24



BR.500_D_E_20

$$\text{BR.500_D_B_24} + \text{BR.500_D_E_20} = \text{BR.500_D_44}$$



WYMIARY: BR.500_D_44

TYP	D	B1	BAN	B max	Waga [kg]
BR.500_D_44	3280	500	5500	5680	916

WYMIARY: BR.500_D_B_24

TYP	D	B1	BAN	B max	Waga [kg]
BR.500_D_B_24	3280	500	3000	3180	511

WYMIARY: BR.500_D_E_20

TYP	D	B1	BAN	B-Ex	Waga [kg]
BR.500_D_E_20*	3280	500	2500	2500	405

$$\text{BAN}_{\text{BR.500_D_B_24}} = 3000 \text{ mm}$$

$$\text{BAN}_{\text{BR.500_D_E_20}} = 2500 \text{ mm}$$

$$\text{BAN}_{\text{BR.500_D_44}} = \text{BAN}_{\text{BR.500_D_B_24}} + \text{BAN}_{\text{BR.500_D_E_20}}$$

$$\text{BAN}_{\text{BR.500_D_44}} = 3000 + 2500 = 5500 \text{ mm}$$

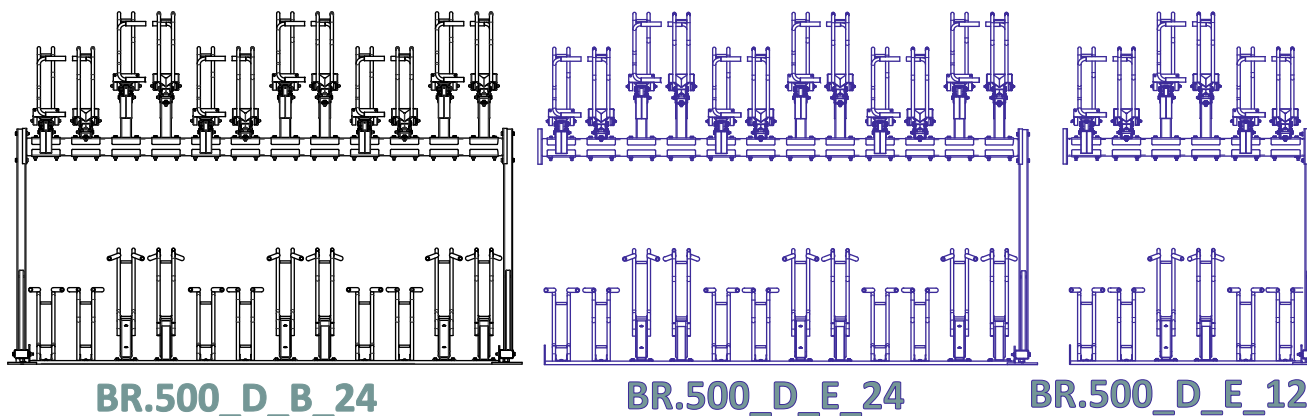
$$\text{Bmax}_{\text{BR.500_D_44}} = \text{BAN}_{\text{BR.500_D_B_24}} + \text{BAN}_{\text{BR.500_D_E_20}} + 90 + 90$$

$$\text{Bmax}_{\text{BR.500_D_44}} = 3000 + 2500 + 90 + 90 = 5680 \text{ mm}$$

$$\text{Waga}_{\text{BR.500_D_44}} = \text{Waga}_{\text{BR.500_D_B_24}} + \text{Waga}_{\text{BR.500_D_E_20}}$$

$$\text{Waga}_{\text{BR.500_D_44}} = 511 + 405 = 916 \text{ kg}$$

Przykład konfiguracji nr 2



WYMIARY: BR.500_D_B_24

TYP	D	B1	BAN	B max	Waga [kg]
BR.500_D_B_24	3280	500	3000	3180	511

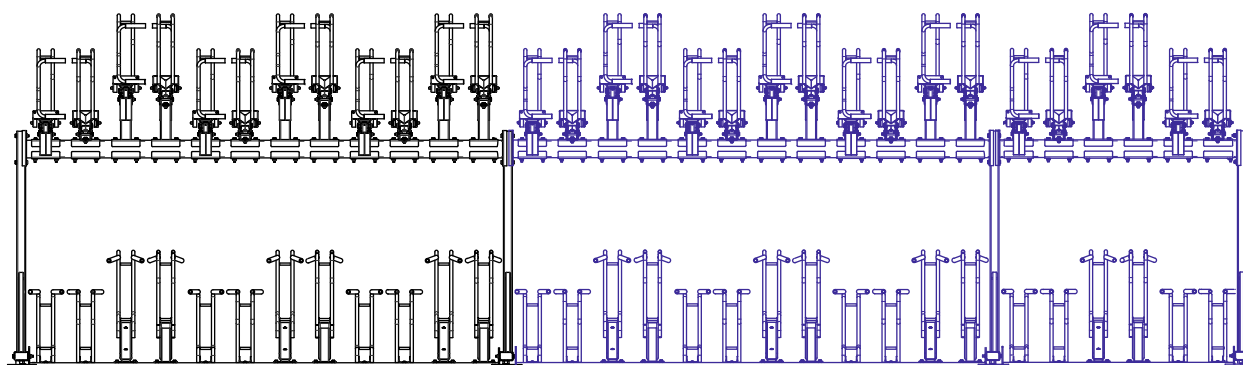
WYMIARY: BR.500_D_E_24

TYP	D	B1	BAN	B-Ex	Waga [kg]
BR.500_D_E_24	3280	500	3000	3000	482

WYMIARY: BR.500_D_E_12

TYP	D	B1	BAN	B-Ex	Waga [kg]
BR.500_D_E_12*	3280	500	1500	1500	255

$$\text{BR.500_D_B_24} + \text{BR.500_D_E_24} + \text{BR.500_D_E_12} = \text{BR.500_D_60}$$



$$\text{BAN}_{\text{BR.500_D_B_24}} = 3000 \text{ mm}$$

$$\text{BAN}_{\text{BR.500_D_E_24}} = 3000 \text{ mm}$$

$$\text{BAN}_{\text{BR.500_D_E_12}} = 1500 \text{ mm}$$

$$\text{BAN}_{\text{BR.500_D_60}} = \text{BAN}_{\text{BR.500_D_B_24}} + \text{BAN}_{\text{BR.500_D_E_24}} + \text{BAN}_{\text{BR.500_D_E_12}}$$

$$\text{BAN}_{\text{BR.500_D_60}} = 3000 + 3000 + 1500 = 7500 \text{ mm}$$

$$\text{Bmax}_{\text{BR.500_D_60}} = \text{BAN}_{\text{BR.500_D_B_24}} + \text{BAN}_{\text{BR.500_D_E_24}} + \text{BAN}_{\text{BR.500_D_E_12}} + 90 + 90$$

$$\text{Bmax}_{\text{BR.500_D_60}} = 3000 + 3000 + 1500 + 90 + 90 = 7680 \text{ mm}$$

$$\text{Waga}_{\text{BR.500_D_60}} = \text{Waga}_{\text{BR.500_D_B_24}} + \text{Waga}_{\text{BR.500_D_E_24}} + \text{Waga}_{\text{BR.500_D_E_12}}$$

$$\text{Waga}_{\text{BR.500_D_60}} = 511 + 482 + 255 = 1248 \text{ kg}$$

WYMIARY: BR.500_D_60

TYP	D	B1	BAN	B max	Waga [kg]
BR.500_D_60	3280	500	7500	7680	1248

