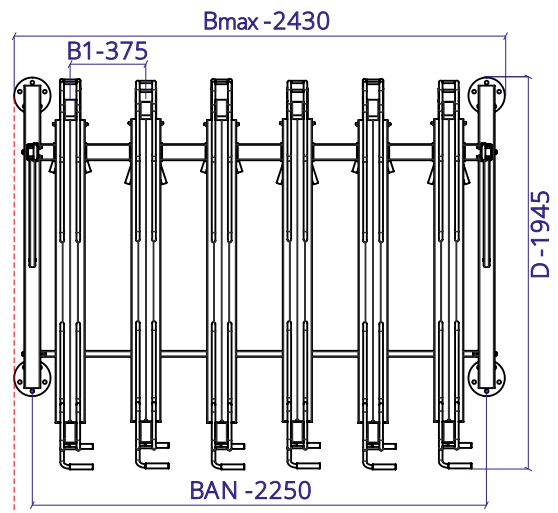
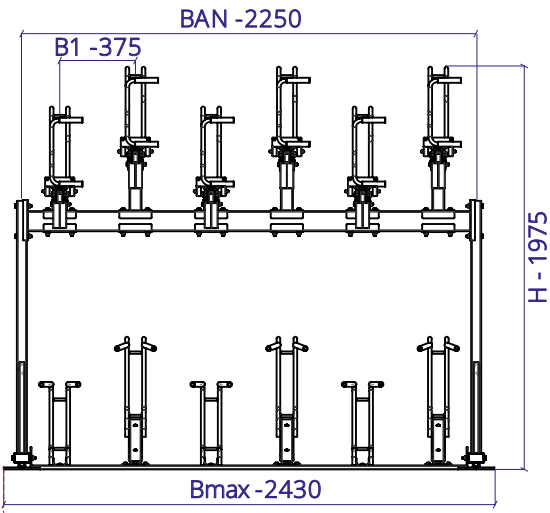
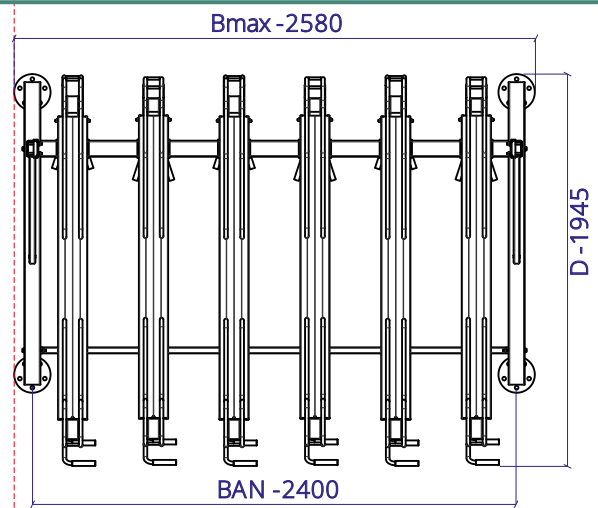
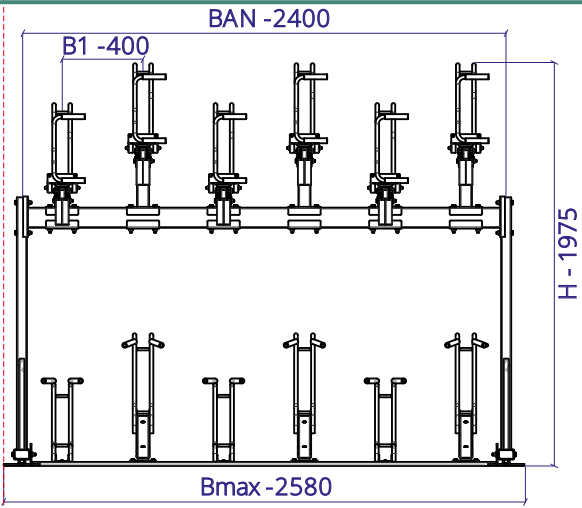


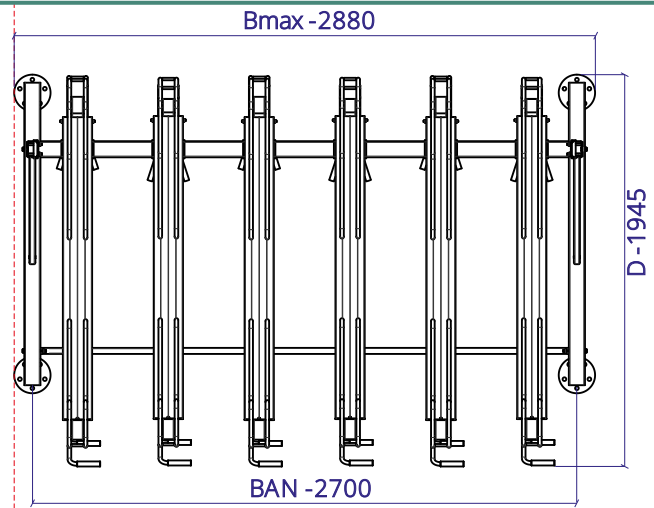
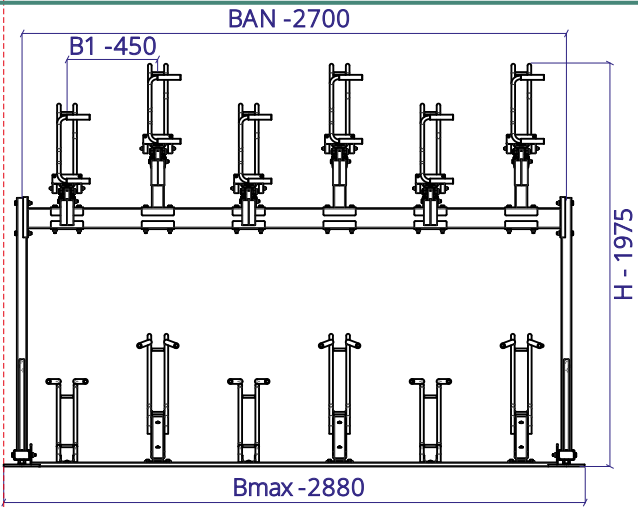
BR.375\_S\_B\_12



BR.400\_S\_B\_12



BR.450\_S\_B\_12



BR.500\_S\_B\_12

